

COMMSCOPE®

 on the go

# Steel Products



**4G and LTE Solutions for Mounting**  
Structural Support Products

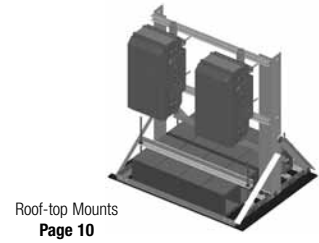
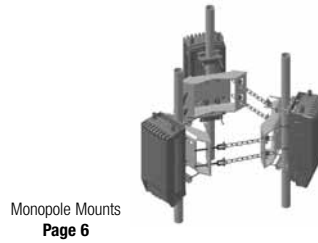
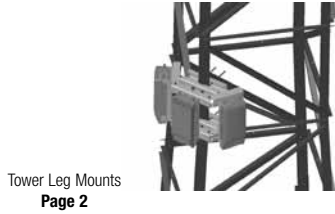


**Table of Contents**

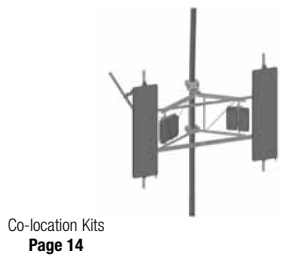
- Remote Radio Mounts** ..... 1
  - Tower Solutions ..... 2-5
  - Monopole Solutions ..... 6-9
  - Roof Mount Solutions ..... 10-19
  - Pipe and U-bolt Components ..... 12
  
- 4G Antenna Mounts** ..... 13
  - Tower Solutions ..... 14-17
  - Microwave Solutions ..... 18-23
  - Customs ..... 24
  
- Monopole Mounts** ..... 25
  - Low-Profile Chain Mounts ..... 26
  - Light Duty Chain Mounts ..... 27
  - Heavy Duty Chain Mounts ..... 28
  - Microwave Components ..... 29-31
  - Customs ..... 32
  
- Roof-top Mounts** ..... 33
  - Roof Frames ..... 34
  - Mounting Components ..... 35-37
  - Customs ..... 38
  
- Waveguide** ..... 39
  - Coaxial Support Components ..... 40
  - Waveguide Bridge Kits ..... 41
  - Cable Ladder Kits ..... 42
  
- Site Related** ..... 43
  - Microwave Ice Shields ..... 44
  - Power Telco Racks ..... 46
  - Equipment Platforms ..... 46

# Selection Guide

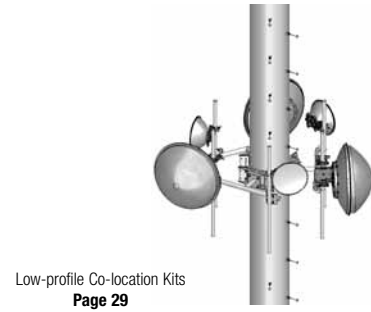
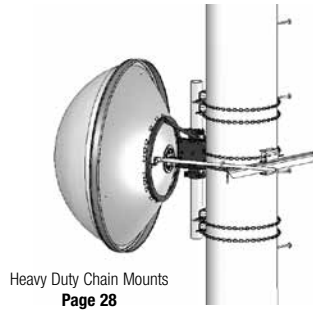
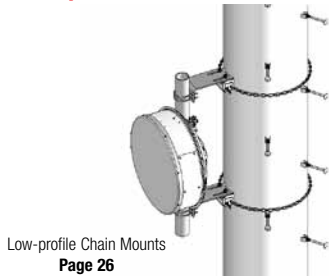
## Remote Radio Mounts



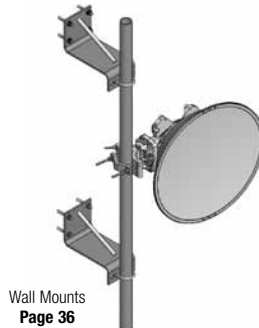
## Tower Mounts



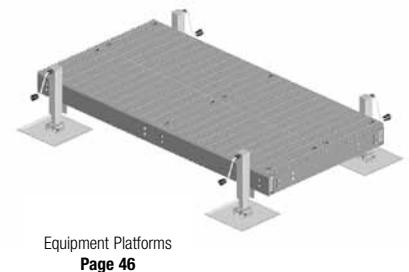
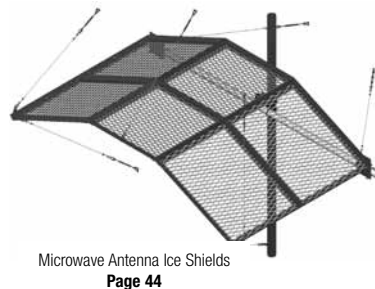
## Monopole Mounts



## Roof-top Mounts



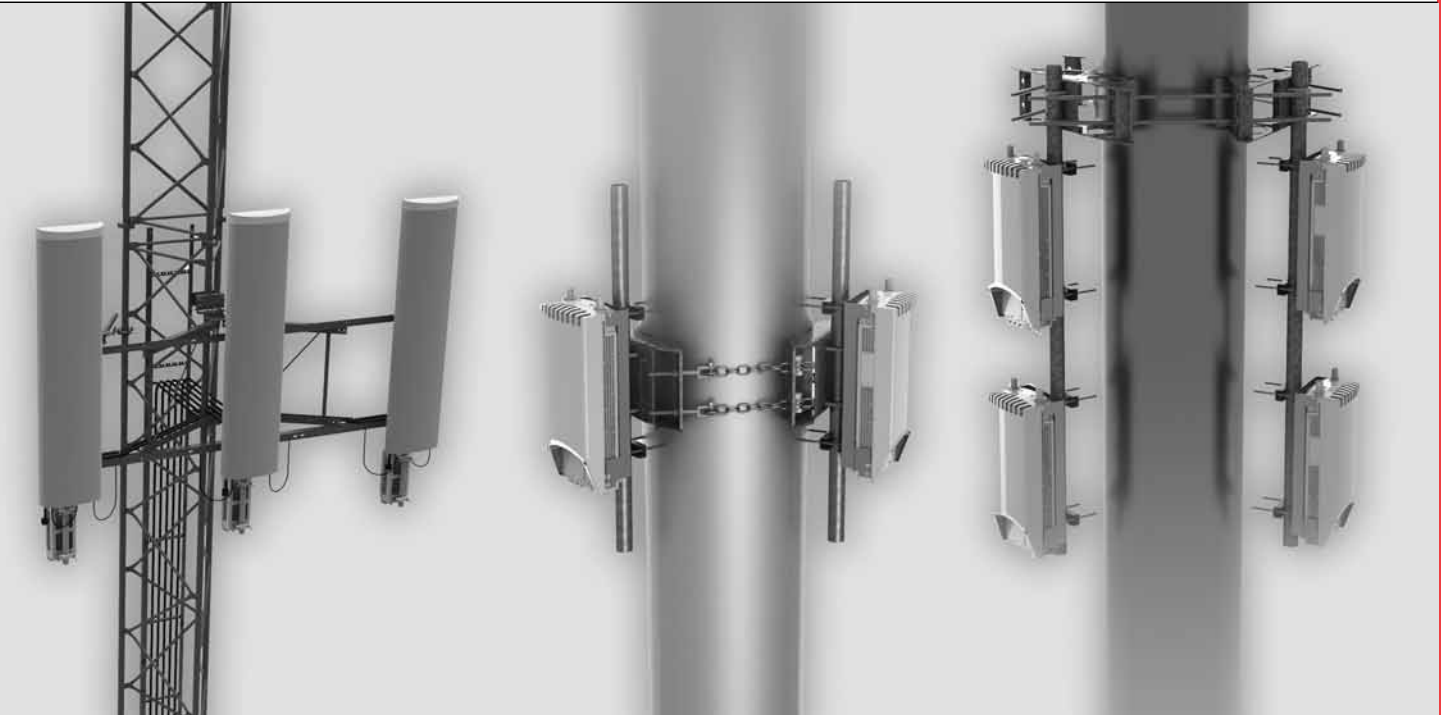
## Waveguide/Site Related Components





COMMSCOPE®

 on the go



REMOTE RADIO HEAD UNIT MOUNTS

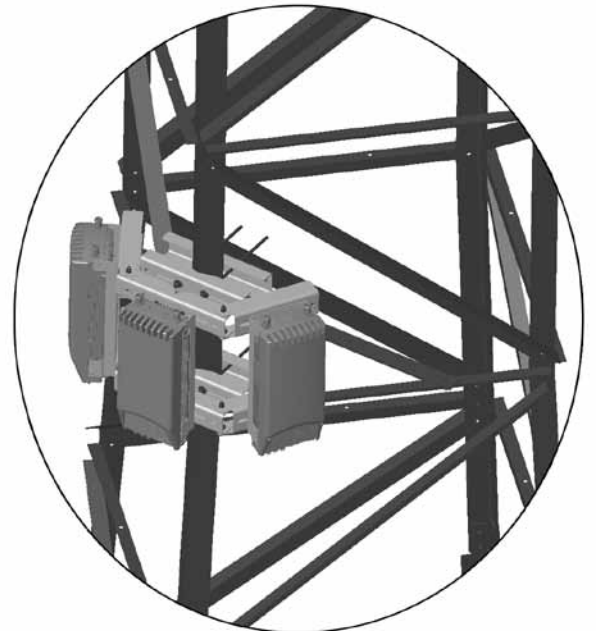
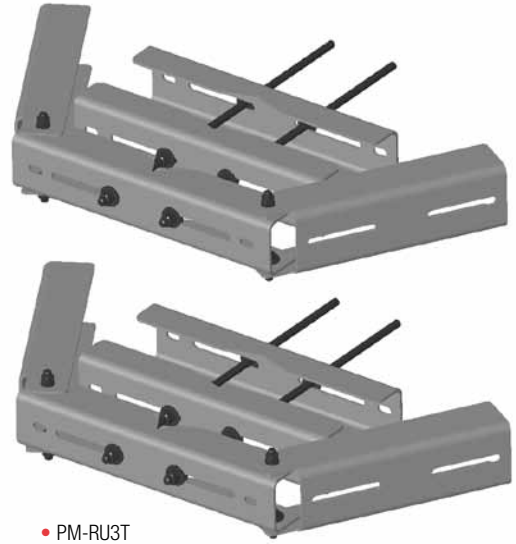
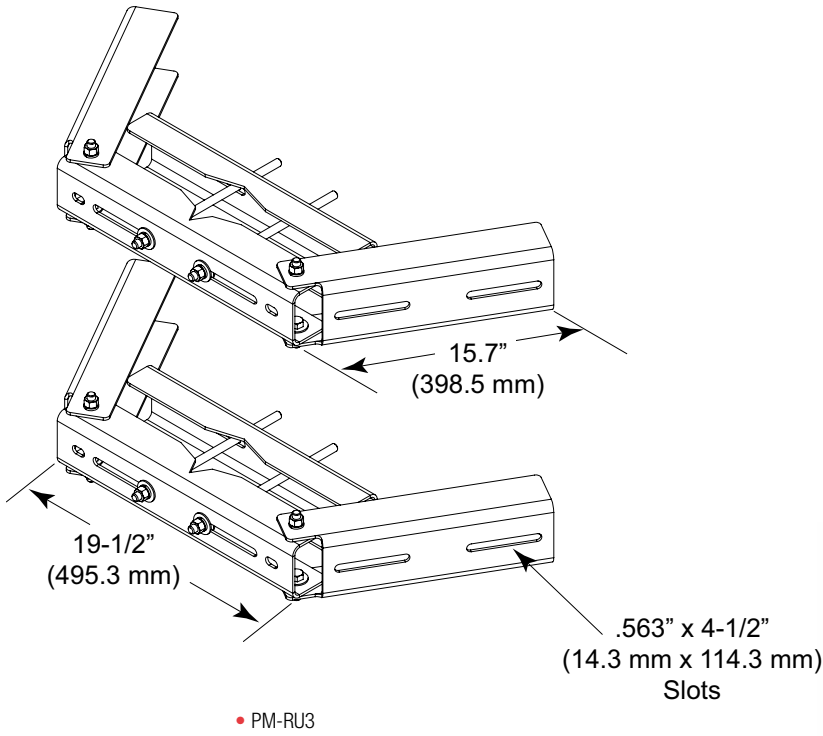
**Tower Mounts**

**Universal RRU Mount**

- Application:** Lattice towers
- Design:** Mounting for RRU's to tower legs or universal pipe mounts
- Feature:** Mounts up to three RRU's
- Mounts to:** Fits tower legs up to 5-5/8" OD (143 mm OD), 6" (152.4 mm) 60° and 8" (203.2 mm) 90° angle
- Material:** Hot dip galvanized steel
- Includes:** Brackets and hardware
- Order Separately:** Pipe mount if required

Part Number	Description	Weight, lb (kg)
-------------	-------------	-----------------

Universal RRU Mount		
PM-RU3	Mount for Attaching up to Three RRU's to Straight Tower Legs	67.9 (30.8)
PM-RU3T	Mount for Attaching up to Three RRU's to Straight or Tapered Tower Legs	86 (38.9)



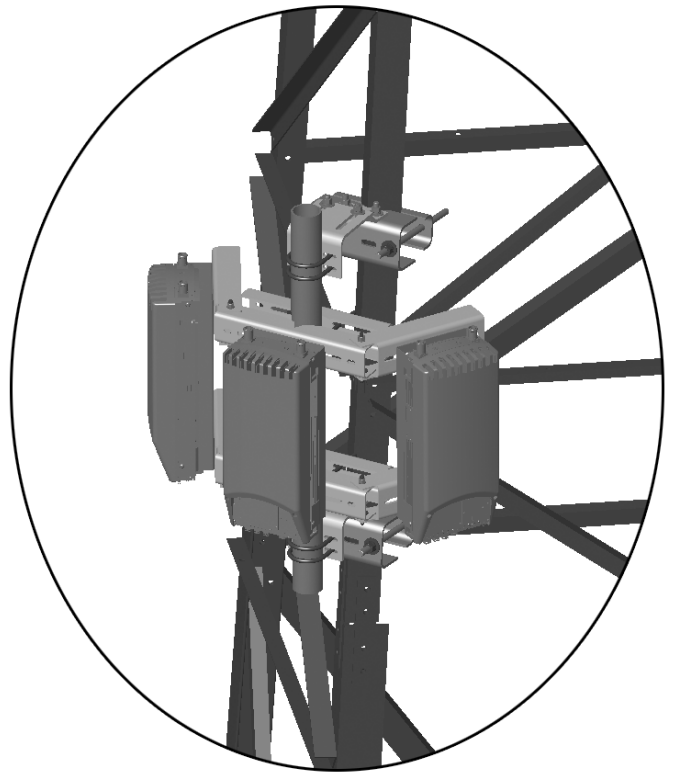
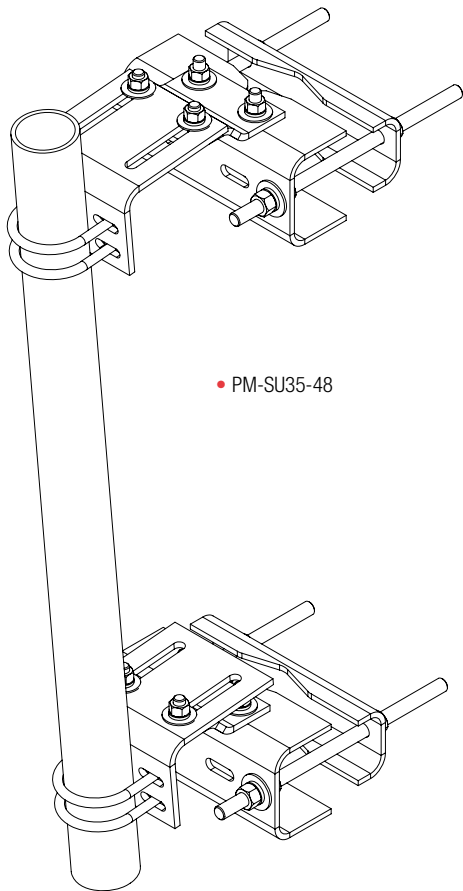
### Tower Mounts

#### Universal Sliding Pipe Mount Kit

- Application:** Lattice towers
- Size:** 3-1/2" OD x 48" long (88.9 mm OD x 1.2 m long)
- Design:** Pipe with saddle mount and adjustable clamps
- Feature:** Universal sliding bracket with up to 7° of taper
- Mounts to:** Straight or tapered legs up to 8-5/8" OD (219.1 mm OD), 8" (203.2 mm) angle 60°, or 6" (152.4 mm) angle 90°
- Material:** Hot dip galvanized steel
- Includes:** Universal saddle mount, sliding pipe mount brackets, pipe
- Order Separately:** Universal RRU mount

Part Number	Description	Weight, lb (kg)
-------------	-------------	-----------------

<b>Universal Sliding Pipe Mount Kit</b>		
PM-SU35-48	Universal Sliding Pipe Mount Kit, 3-1/2" OD x 48" (88.9 mm OD x 1.2 m) Mounting Pipe	112 (50.8)



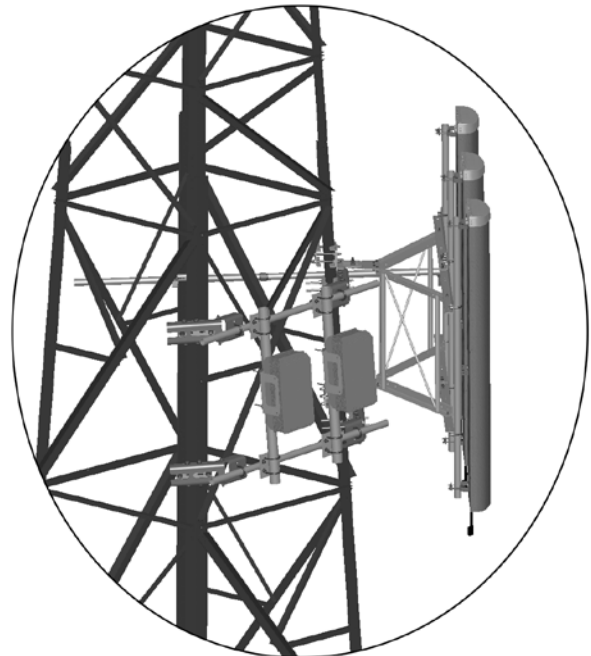
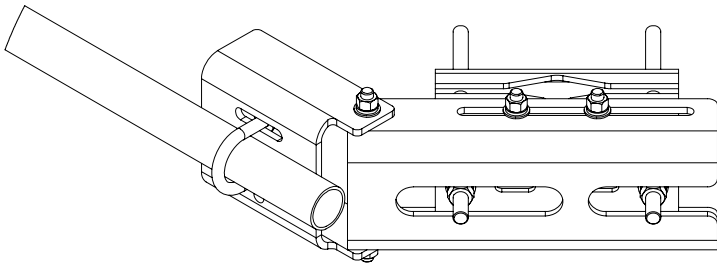
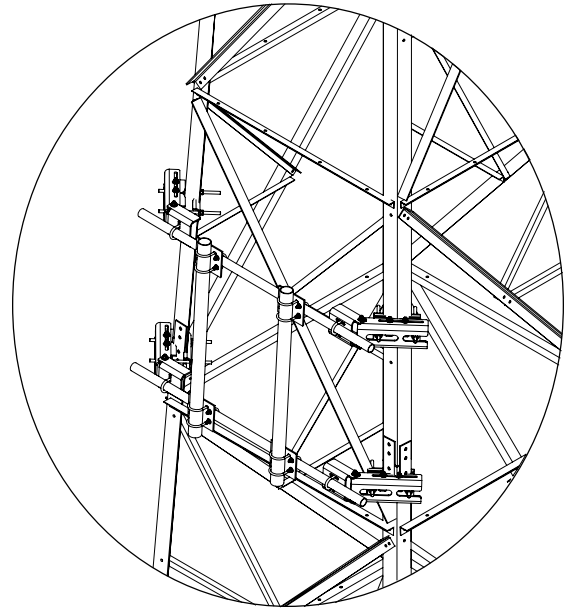
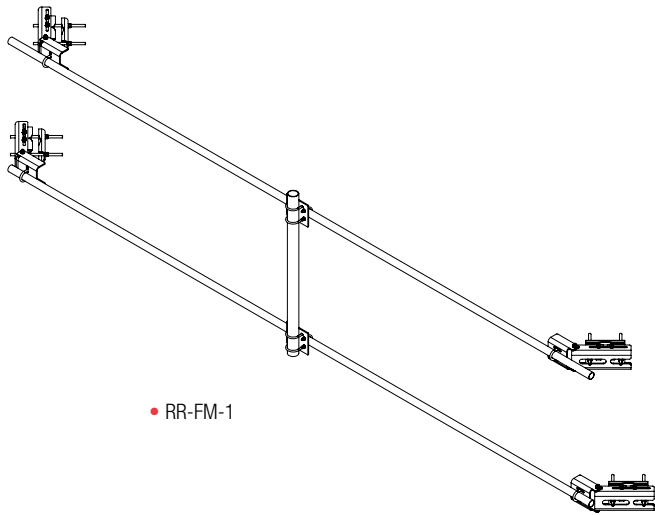
Tower Mounts

Universal Face Mount Kits

- Application:** Lattice towers
- Size:** 20' (6.1 m) Face width
- Design:** Face mount with vertical pipe and universal clamps
- Feature:** Universal taper adjustment for up to 9° of taper with 48" (1.2 m) of separation
- Mounts to:** Straight or tapered legs up to 8-5/8" OD (219.1 mm OD), 8" (203.2 mm) angle 60°, or 6" (152.4 mm) angle 90°
- Material:** Hot dip galvanized steel
- Includes:** Universal leg brackets, pipe, crossover plates, hardware
- Order Separately:** RRU's

Part Number	Description	Weight, lb (kg)
-------------	-------------	-----------------

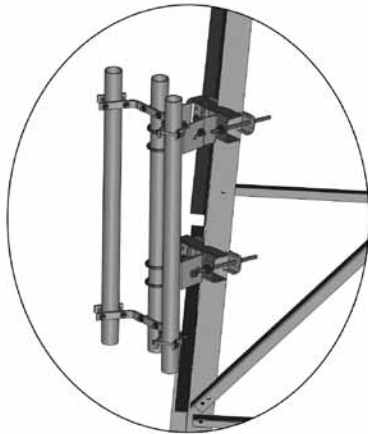
<b>Universal Face Mount Kits</b>		
RR-FM-1	Tower Face Mount, 2-3/8" OD x 20' (60.3 mm OD x 6.1 m) Horizontal Pipes, (1) 3-1/2" OD x 60" (88.9 mm OD x 1524 mm) Vertical Pipe	454 (205.9)
RR-FM-2	Tower Face Mount, 2-3/8" OD x 20' (60.3 mm OD x 6.1 m) Horizontal Pipes, (2) 3-1/2" OD x 60" (88.9 mm OD x 1524 mm) Vertical Pipes	530 (240.4)



### Tower Mounts

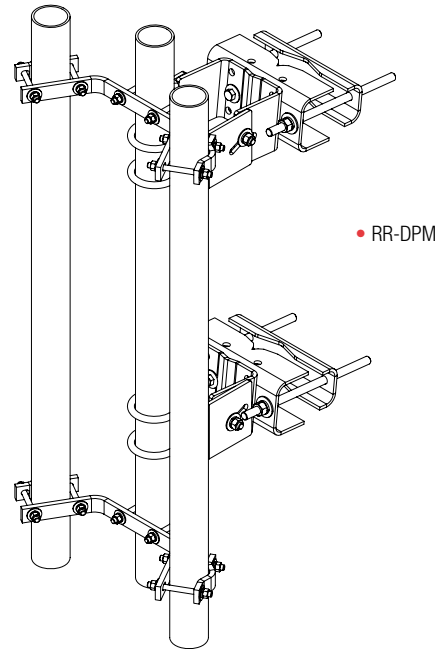
#### Universal Sliding Pipe Mount Kit

- Application:** Lattice towers
- Size:** 18" (457.2 mm) wide
- Design:** Dual pipe mount
- Feature:** Open face taper adjustment
- Mounts to:** Straight or tapered legs up to 8-5/8" OD (219.1 mm OD), 8" (203.2 mm) angle 60°, or 6" (152.4 mm) angle 90°
- Material:** Hot dip galvanized steel
- Includes:** Mount, taper brackets, pipe, hardware
- Order Separately:** RRU's



Part Number	Description	Weight, lb (kg)
-------------	-------------	-----------------

<b>Universal Sliding Pipe Mount Kit</b>		
RR-DPM	Dual Pipe Mount for Straight or Tapered Legs	241 (109.2)



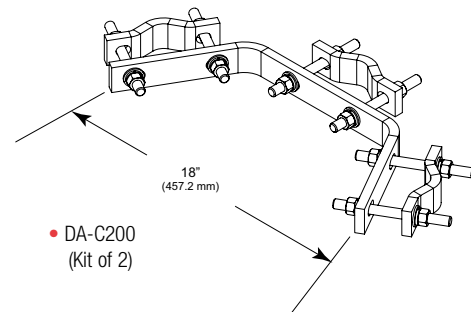
#### Double Antenna Clamp

- Application:** Antenna mounting
- Size:** 18" (457.2 mm) wide
- Design:** Double pipe-to-pipe clamp
- Mounts to:** 1-1/2" to 3-1/2" OD (38.1 mm to 88.9 mm OD)
- Material:** Hot dip galvanized steel
- Order Separately:** 1-1/2" to 3-1/2" OD (38.1 mm to 88.9 mm OD) pipe



Part Number	Description	Weight, lb (kg)
-------------	-------------	-----------------

<b>Double Antenna Clamp</b>		
DA-C200	Double Antenna Clamp, Kit of 2	23 (10.4)

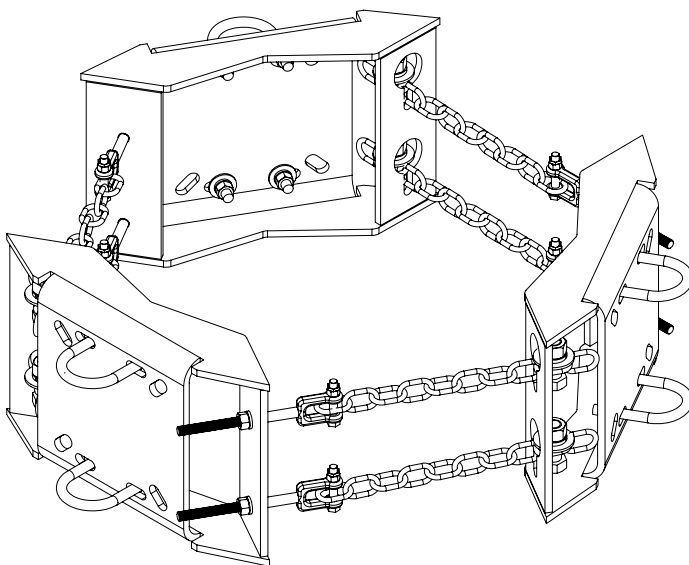


Monopole Mounts

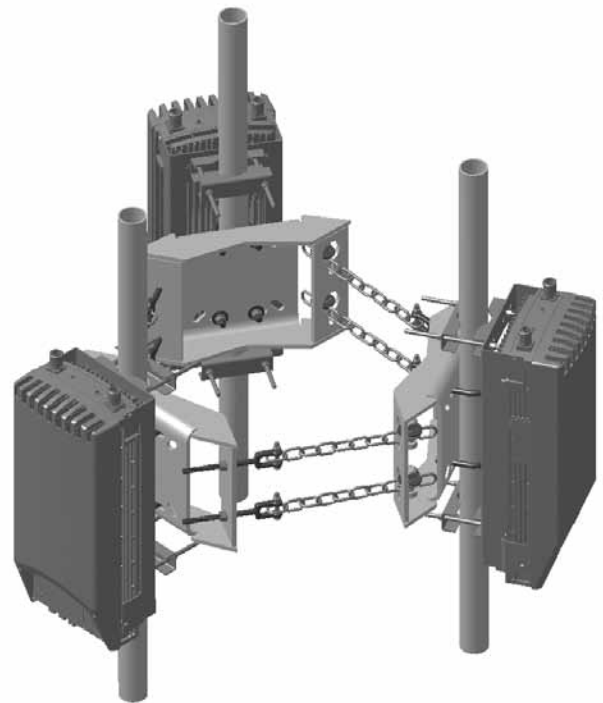
Monopole Chain Mount Kit

- Application:** Monopoles
- Design:** 3-Sector chain mount
- Feature:** Allows pipe diameter up to 3-1/2" (88.9 mm) with separately purchased u-bolts and pipe
- Mounts to:** 18" to 30" OD (457.2 mm to 762 mm OD) Monopoles
- Material:** Hot dip galvanized steel
- Includes:** Mount, chain, hardware with (6) 2-3/8" OD (60.3 mm OD) antenna pipe u-bolts
- Order Separately:** Pipe, 2-7/8" (73 mm) up to 3-1/2" (88.9 mm) u-bolts

Part Number	Description	Weight, lb (kg)
<b>Three Sector Monopole Chain Mount Kit</b>		
MT-RCM-1830	Chain Mount Kit, for 18" to 30" OD (457.2 mm to 762 mm OD) Monopoles	102 (46.2)



• MT-RCM-1830



See Pipe and U-bolt Table on Page 12



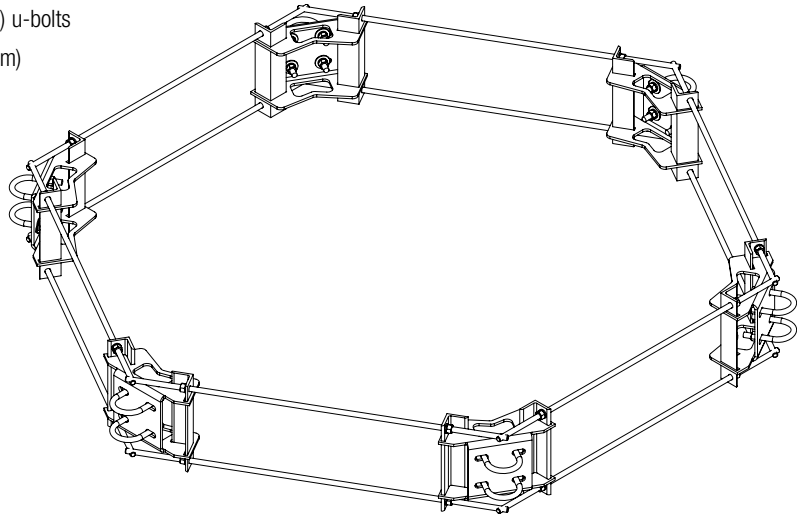
Remote Radio Head

Monopole Mounts

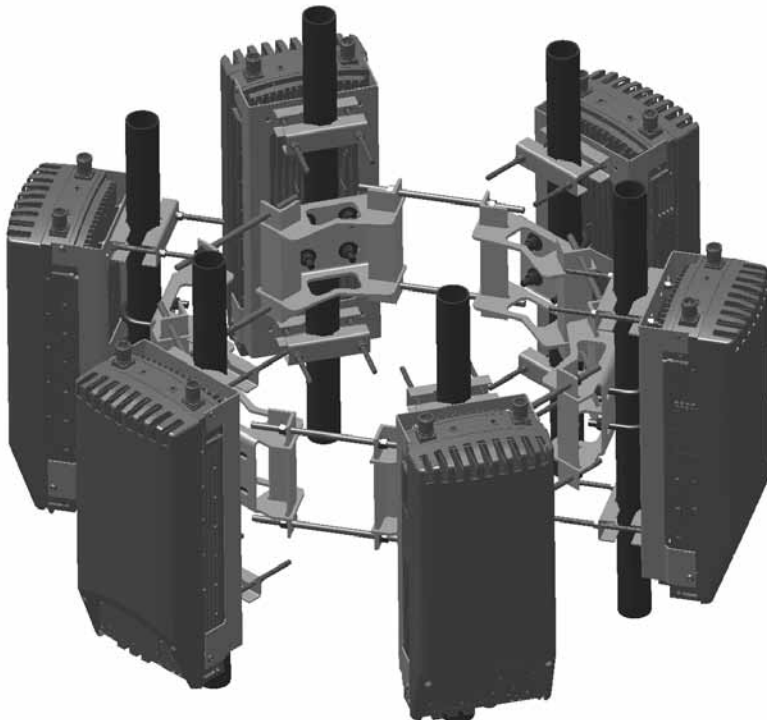
6-Sector Pipe Mount Kit

- Application:** Monopoles
- Design:** 6-Sector pipe mount kit
- Feature:** Allows pipe diameter up to 3-1/2" (88.9 mm) with separately purchased u-bolts and pipe
- Mounts to:** 15" to 60" OD (381 mm to 1524 mm OD) Monopoles
- Material:** Hot dip galvanized steel
- Includes:** Mount, threaded rod, (12) 2-3/8" (60.3 mm) u-bolts
- Order Separately:** Pipe, 2-7/8" (73 mm) up to 3-1/2" (88.9 mm) u-bolts

Part Number	Description	Weight, lb (kg)
<b>Six Sector Pipe Ring Mount</b>		
RR-RM1560	Pipe Mount Kit, for 15" to 60" OD (381 mm to 1524 mm OD) Monopoles	97 (44)



• RR-RM1560



See Pipe and U-bolt Table on Page 12



Monopole Mounts

3-Sector Dual Radio Ring Mount

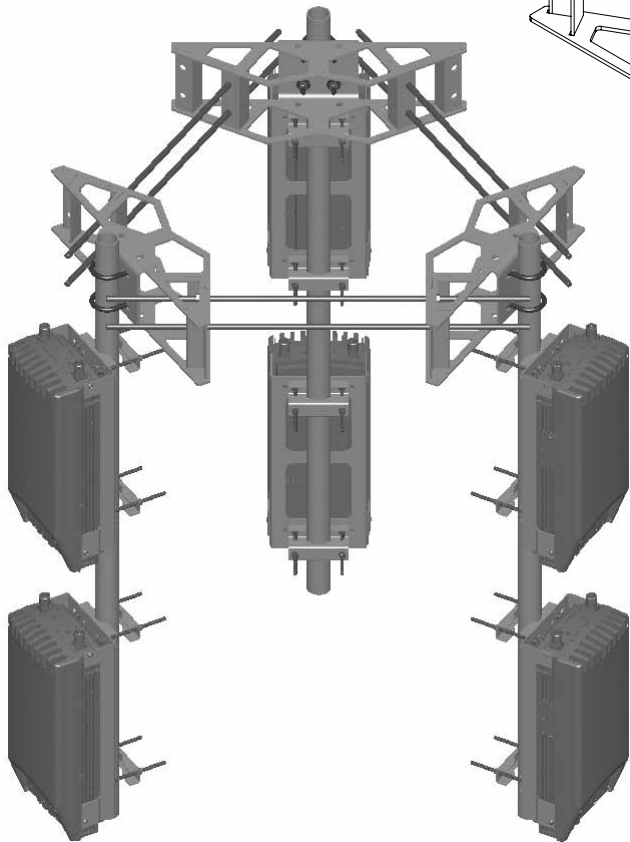
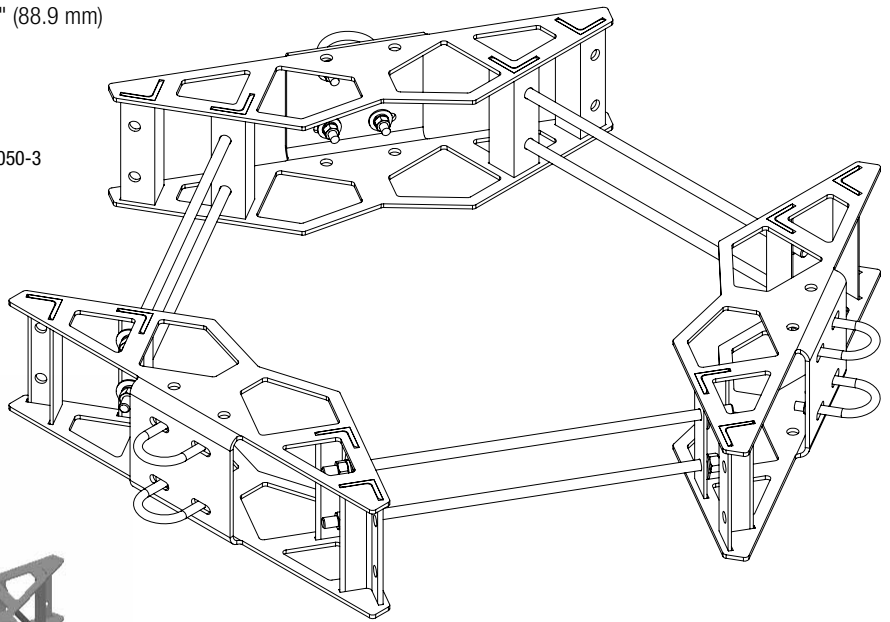
- Application:** Monopoles
- Design:** 3-Sector ring mount
- Feature:** Allows pipe diameter up to 3-1/2" (88.9 mm) with separately purchased u-bolts and pipe
- Mounts to:** 10" to 50" OD (254 mm to 1270 mm OD) Monopoles
- Material:** Hot dip galvanized steel
- Includes:** Ring mount, threaded rod, hardware, (6) 2-3/8" (60.3 mm) u-bolts
- Order Separately:** Pipe, 2-7/8" (73 mm) up to 3-1/2" (88.9 mm) u-bolts

Part Number	Description	Weight, lb (kg)
-------------	-------------	-----------------

Three Sector Dual Radio Ring Mount

MC-RR1050-3	Pipe Mount, for 10" to 50" OD (254 mm to 1270 mm OD) Monopoles	101 (45.7)
-------------	----------------------------------------------------------------	------------

• MC-RR1050-3



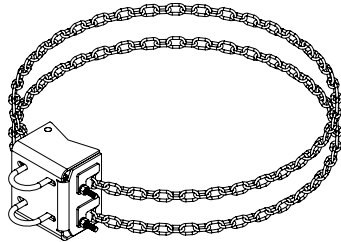
See Pipe and U-bolt Table on Page 12

## Remote Radio Head

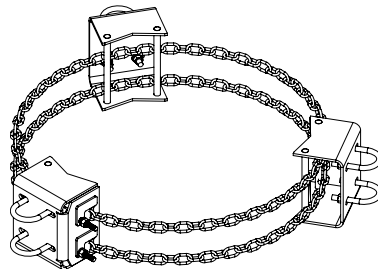
### Monopole Mounts

#### Chain Mounts

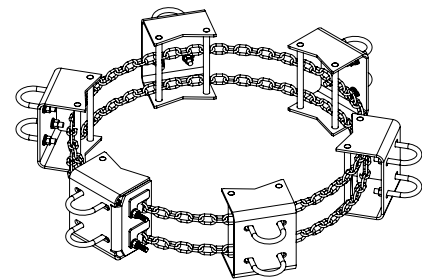
- Application:** Monopoles
- Design:** 1, 3, or 6-Sector kits
- Feature:** Allows pipe diameter up to 3-1/2" (88.9 mm) with separately purchased u-bolts and pipe
- Mounts to:** 10" to 30" OD (254 mm to 762 mm OD) Monopoles
- Material:** Hot dip galvanized steel
- Includes:** Mount, chain, hardware, 2-3/8" (60.3 mm) u-bolts
- Order Separately:** Pipe, 2-7/8" (73 mm) up to 3-1/2" (88.9 mm) u-bolts



• RR-CM130



• RR-CM330



• RR-CM630

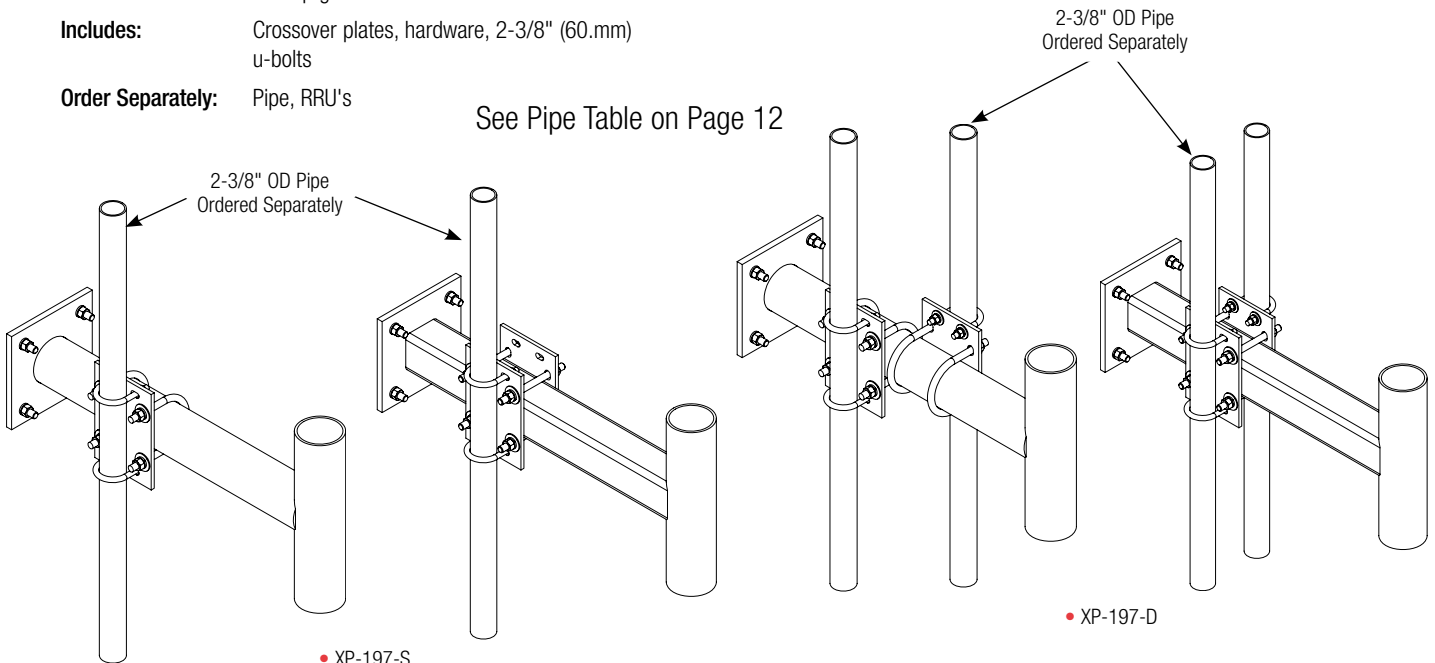
See Pipe and U-bolt Table on Page 12

Part Number	Description	Weight, lb (kg)
<b>Chain Mounts</b>		
RR-CM130	Single Sector Chain Mount, for 10" to 30" OD (254 mm to 762 mm OD) Monopoles	22 (10)
RR-CM330	Three Sector Chain Mount, for 10" to 30" OD (254 mm to 762 mm OD) Monopoles	42 (19.1)
RR-CM630	Six Sector Chain Mount, for 10" to 30" OD (254 mm to 762 mm OD) Monopoles	72 (32.7)

#### Stand-off Arm Mounts

- Application:** Monopoles
- Design:** Crossover plate solution
- Feature:** Mounts to round or tubular stand-off arms
- Mounts to:** 4-1/2" OD (114.3 mm OD) round or 4" (101.6 mm) square tube
- Material:** Hot dip galvanized steel
- Includes:** Crossover plates, hardware, 2-3/8" (60.3 mm) u-bolts
- Order Separately:** Pipe, RRU's

Part Number	Description	Weight, lb (kg)
<b>Stand-off Arm Mounts</b>		
XP-197-S	Crossover Plates for Mounting to 4-1/2" OD (114.3 mm OD) Round or 4" (101.6 mm) Square Stand-off Arms	10 (4.5)
XP-197-D	Crossover Plates for Mounting to 4-1/2" OD (114.3 mm OD) Round or 4" (101.6 mm) Square Stand-off Arms	20 (9.1)



• XP-197-S

• XP-197-D

See Pipe Table on Page 12

## Remote Radio Head

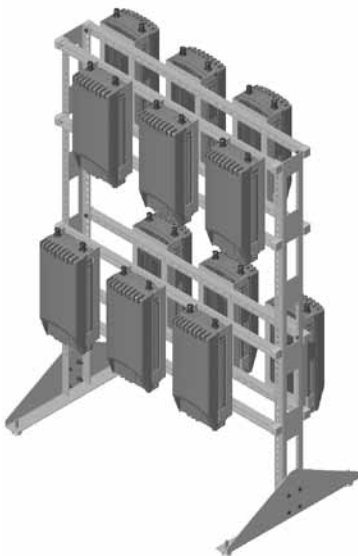
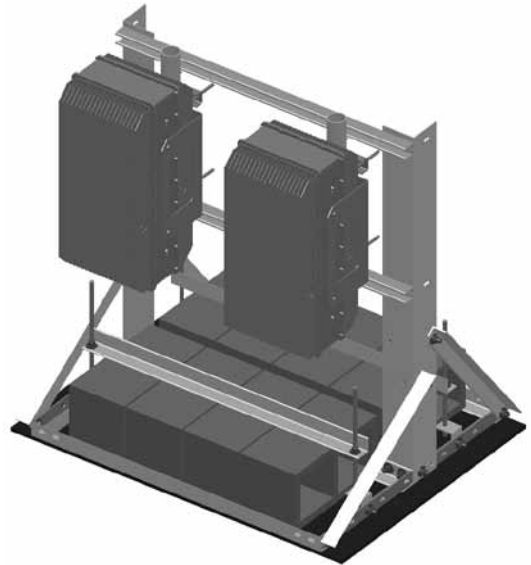
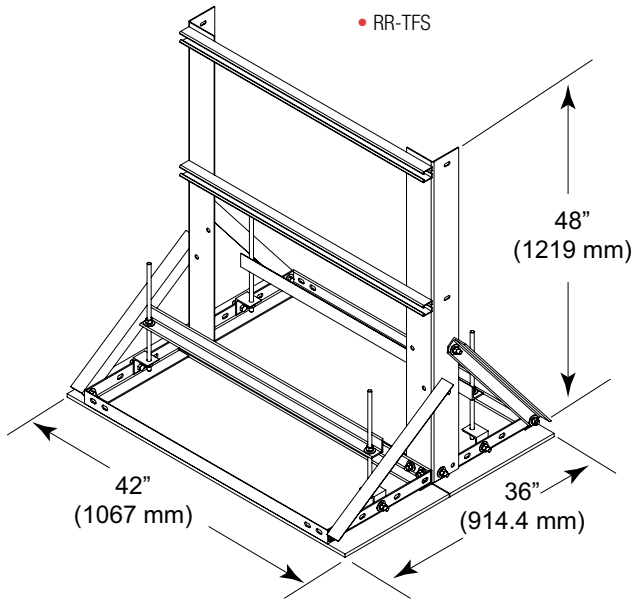
### Roof-top Mounting RRU's

#### Non-penetrating Roof-top Mounting RRU's

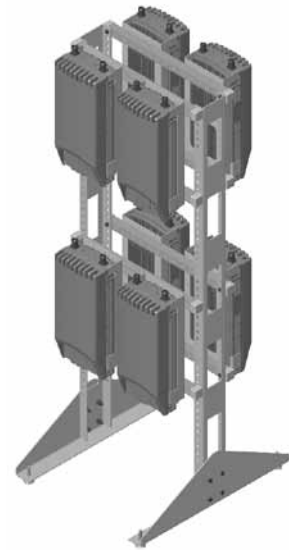
<b>Application:</b>	Roof-top
<b>Size:</b>	42" (1.1 m) Face
<b>Design:</b>	Unistrut face for mounting multiple RRU's
<b>Feature:</b>	Non-penetrating
<b>Material:</b>	Hot dip galvanized steel
<b>Includes:</b>	Mount, hardware, (4) u-bolts for 2-3/8" (60.3 mm) u-bolts
<b>Order Separately:</b>	Pipe, RRU's

Part Number	Description	Weight, lb (kg)
-------------	-------------	-----------------

<b>Non-penetrating Roof-top Mounting RRU's</b>		
RR-TFS	Non-penetrating Ballast Mount for RRU's	163 (73.9)



Custom Mounting Solutions  
Available



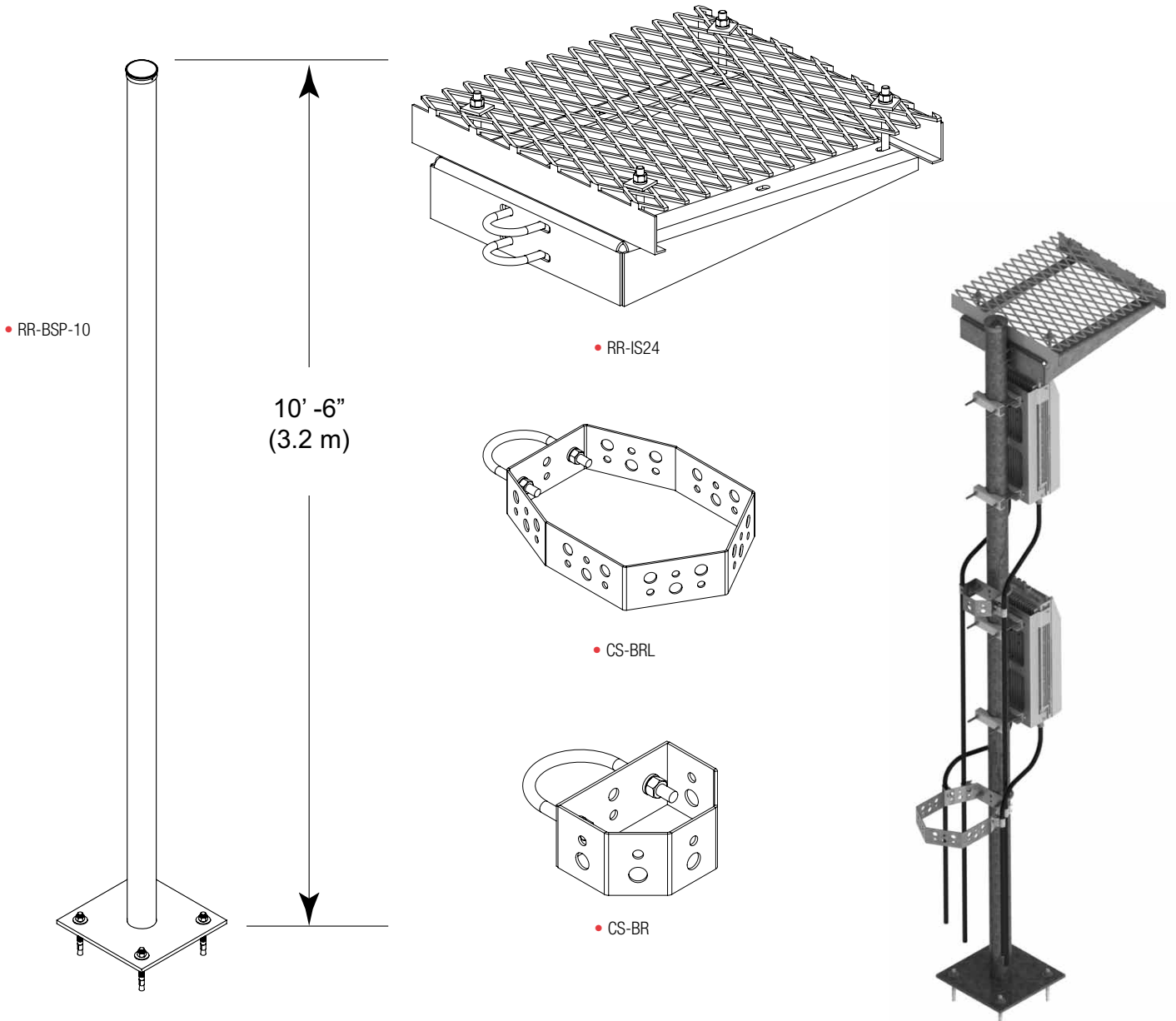
## Remote Radio Head

### Ground Level Mounting RRU's

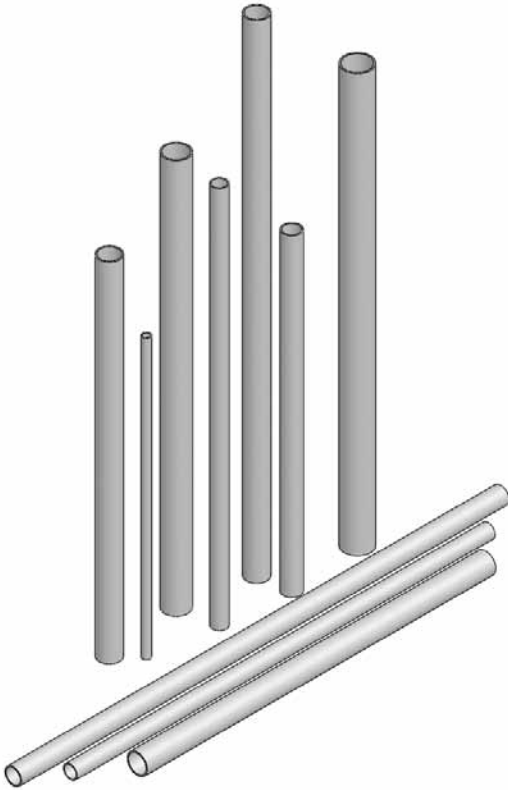
#### Ground Level Mounting RRU's

- Application:** Base mount RRU's
- Size:** 10'-6" (3.2 m)
- Design:** Base shoe pipe
- Feature:** Optional cable support and ice shield
- Mounts to:** Level surface
- Material:** Hot dip galvanized steel
- Includes:** Mount, hardware, anchors
- Order Separately:** RRU's

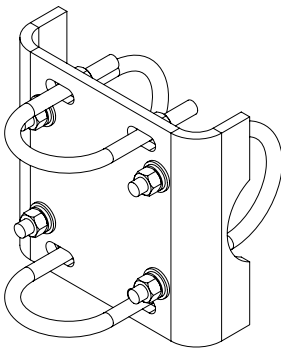
Part Number	Description	Weight, lb (kg)
<b>Ground Level Mounting RRU's</b>		
RR-BSP-10	3-1/2" OD x 126" (88.9 mm OD x 3.2 m) Base Shoe Pipe With 14-1/2" x 14-1/2" (368.3 mm x 368.3 mm) Base Plate	117 (53.1)
CS-BR	Cluster Support Bracket, 5 Lines, for 3-1/2" OD (88.9 mm OD) Members	3 (1.4)
CS-BRL	Cluster Support Bracket, 18 Lines, for 3-1/2" OD (88.9 mm OD) Members	5 (2.3)
<b>Ice Shield</b>		
RR-IS24	24" x 24" (609 mm x 609 mm) Ice Shield	38 (16.4)



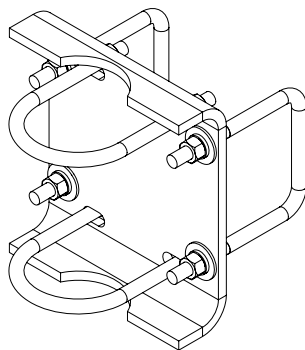
Pipes U-bolts and Pipe Mounts



Part Number	Description	Weight, lb (kg)
<b>Pipe and U-bolts</b>		
GUB-4240	1/2" x 2-1/2" x 4" (12.7 mm x 64 mm x 102 mm) Galvanized U-bolt Assembly	0.9 (0.4)
GUB-4352	1/2" x 3" x 5-1/4" (12.7 mm x 76 mm x 133 mm) Galvanized U-bolt Assembly	0.9 (0.4)
GUB-4356	1/2" x 3-5/8" x 6" (12.7 mm x 92.1 mm x 152.4 mm) Galvanized U-bolt Assembly	0.9 (0.4)
MT-651	2-3/8" OD x 72" (60.3 mm OD x 1.8 m) Galvanized Pipe	21 (9.5)
MT-651-84	2-3/8" OD x 84" (60.3 mm OD x 2.1 m) Galvanized Pipe	26 (11.8)
MT-651-96	2-3/8" OD x 96" (60.3 mm OD x 2.4 m) Galvanized Pipe	33 (15.2)
MT-537	2-3/8" OD x 126" (60.3 mm OD x 3.2 m) Galvanized Pipe	39 (18)
MT54672	2-7/8" OD x 72" (73 mm OD x 1.8 m) Galvanized Pipe	34 (15.4)
MT54684	2-7/8" OD x 84" (73 mm OD x 2.1 m) Galvanized Pipe	41 (18.6)
MT54696	2-7/8" OD x 96" (73 mm OD x 2.4 m) Galvanized Pipe	46 (20.8)
MT-546-126	2-7/8" OD x 126" (73 mm OD x 3.2 m) Galvanized Pipe	61 (27.6)
MT54772	3-1/2" OD x 72" (88.9 mm OD x 1.8 m) Galvanized Pipe	71 (32.2)
MT54784	3-1/2" OD x 84" (88.9 mm OD x 2.1 m) Galvanized Pipe	82 (37.2)
MT54796	3-1/2" OD x 96" (88.9 mm OD x 2.4 m) Galvanized Pipe	94 (42.6)
MT-547-126	3-1/2" OD x 126" (88.9 mm OD x 3.2 m) Galvanized Pipe	125 (56.7)



• MT-219



• MTC3055PM35

Part Number	Description	Weight, lb (kg)
<b>Pipe Mount Kits for 3-1/2" (88.9 mm) Round Tube Faces</b>		
MT-219-H	Pipe Mount for 2-3/8" OD (60.3 mm OD) Antenna Mount Pipe	11 (5.0)
MT-219M-H	Pipe Mount for 2-7/8" OD (73 mm OD) Antenna Mount Pipe	11 (5.0)
MT-219L-H	Pipe Mount for 3-1/2" OD (88.9mm OD) Antenna Mount Pipe	12 (5.4)

Part Number	Description	Weight, lb (kg)
<b>Pipe Mount Kits for 4" (102 mm) Square Tube Faces</b>		
MTC3055PM3	Pipe Mount for 2-7/8" OD (73 mm OD) Antenna Mount Pipe	13 (5.9)
MTC3055PM35	Pipe Mount for 3-1/2" OD (88.9 mm OD) Antenna Mount Pipe	13 (5.9)

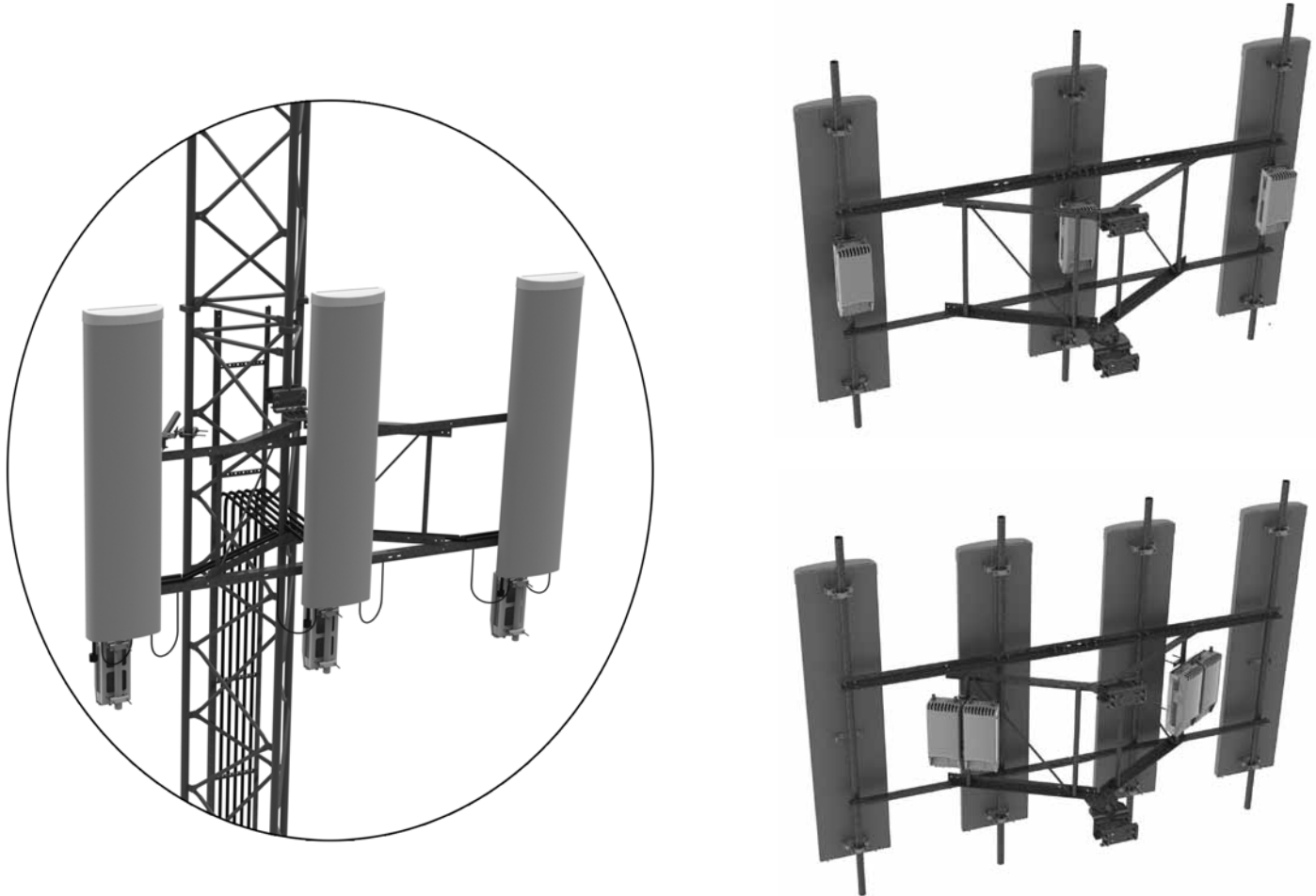
NOTE: Use square tube pipe mounts for SF-HPM series and MC-HPM1250-B mounts



- Tower Leg Mounting Solutions
- Tower Face Mounting Solutions



***Introducing the new SF-QV series sector frame designed specifically for the ever changing 4G LTE fiber sites.***



Commscope's new Quik-vee sector frames are designed with the ever changing wireless industry in mind. We incorporated robust face angles and oversized antenna pipe mounting slots to allow the frame to be used in 3G or 4G/LTE applications. Vertical pipe supports built into the "V" allow easy mounting for RRU's, filters, combiners or your fiber connection box. The oversized slotted face frame is designed to hold 3-1/2" OD (88.9 mm OD) antenna masts while minimizing face twist.

Quick-vee sector frames are delivered partially assembled for ease in construction, substantially reducing installation time. U-bolts for 2-3/8" OD (60.3 mm OD) antenna mounting pipes are included but the frame can be upgraded to utilize 2-7/8" OD (73 mm OD) or 3-1/2" OD (88.9 mm OD) antenna mounting pipes by using separately purchased u-bolts.

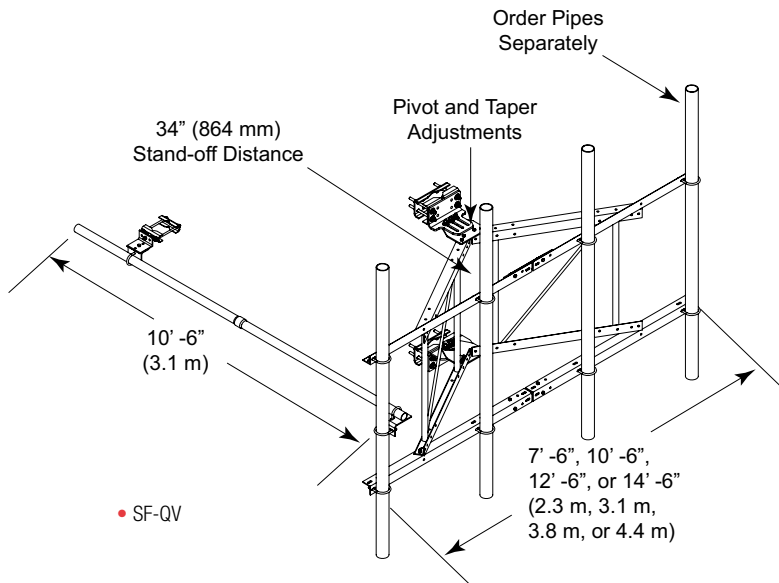


## Tower Mounts

### Co-location Kits

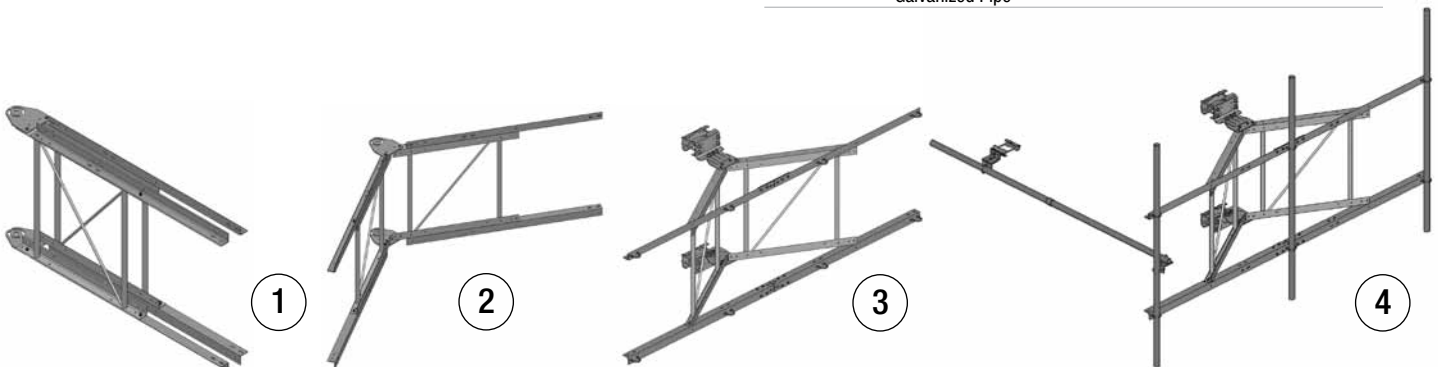
#### Quik-Vee Stand-off Sector Frames

- Application:** Lattice towers
- Size:** 7'-6", 10'-6", 12'-6" and 14'-6" (2.3 m, 3.2 m, 3.8 m and 4.4 m) Faces
- Design:** Angle design, dual gated 34" (864 mm) stand-off
- Feature:** Quickly assembled frame with universal taper kit
- Mounts to:** Straight or tapered legs up to 8-5/8" OD (219.1 mm OD), 8" (203.2 mm) angle 60°, or 6" (152.4 mm) angle 90°
- Material:** Hot dip galvanized steel
- Includes:** Frame, stiff arm, saddle mount, hardware
- Order Separately:** Pipes



Part Number	Description	Weight, lb (kg)
<b>Quik-Vee Stand-off Sector Frames</b>		
SF-QV7-B	Quik-vee Sector Frame, 7'-6" (2.3 m) Face, Pipes Ordered Separately	372 (168.5)
SF-QV10-B	Quik-vee Sector Frame, 10'-6" (3.2 m) Face, Pipes Ordered Separately	397 (179.8)
SF-QV12-B	Quik-vee Sector Frame, 12'-6" (3.8 m) Face, Pipes Ordered Separately	415 (188.3)
SF-QV14-B	Quik-vee Sector Frame, 14'-6" (4.4 m) Face, Pipes Ordered Separately	435 (197.4)

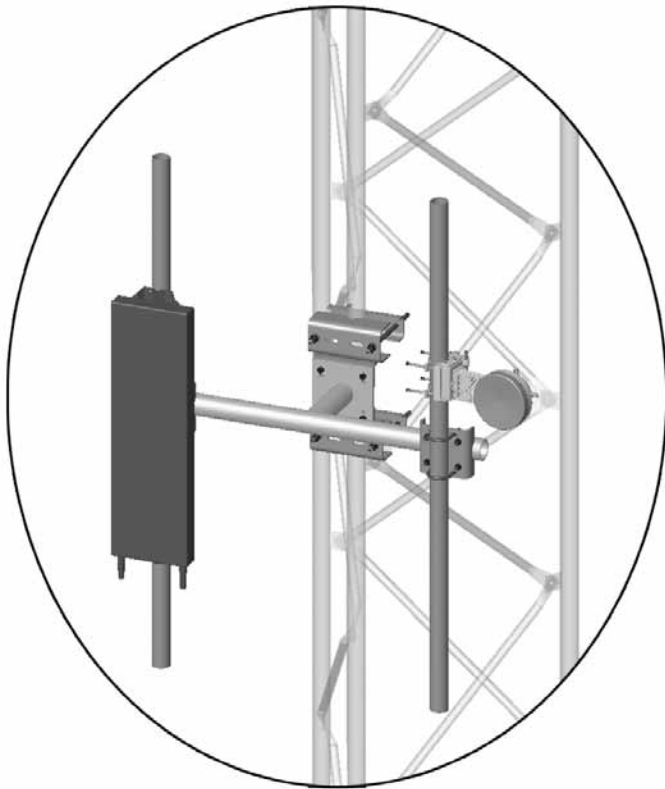
Part Number	Description	Weight, lb (kg)
<b>Pipe and U-bolts</b>		
GUB-4240	1/2" x 2-1/2" x 4" (12.7 mm x 64 mm x 102 mm) Galvanized U-bolt Assembly	0.9 (0.4)
GUB-4352	1/2" x 3" x 5-1/4" (12.7 mm x 76 mm x 133 mm) Galvanized U-bolt Assembly	0.9 (0.4)
GUB-4356	1/2" x 3-5/8" x 6" (12.7 mm x 92.1 mm x 152.4 mm) Galvanized U-bolt Assembly	0.9 (0.4)
MT-651	2-3/8" OD x 72" (60.3 mm OD x 1.8 m) Galvanized Pipe	21 (9.5)
MT-651-84	2-3/8" OD x 84" (60.3 mm OD x 2.1 m) Galvanized Pipe	26 (11.8)
MT-651-96	2-3/8" OD x 96" (60.3 mm OD x 2.4 m) Galvanized Pipe	33 (15.2)
MT-537	2-3/8" OD x 126" (60.3 mm OD x 3.2 m) Galvanized Pipe	39 (18)
MT54672	2-7/8" OD x 72" (73 mm OD x 1.8 m) Galvanized Pipe	34 (15.4)
MT54684	2-7/8" OD x 84" (73 mm OD x 2.1 m) Galvanized Pipe	41 (18.6)
MT54696	2-7/8" OD x 96" (73 mm OD x 2.4 m) Galvanized Pipe	46 (20.8)
MT-546-126	2-7/8" OD x 126" (73 mm OD x 3.2 m) Galvanized Pipe	61 (27.6)
MT54772	3-1/2" OD x 72" (88.9 mm OD x 1.8 m) Galvanized Pipe	71 (32.2)
MT54784	3-1/2" OD x 84" (88.9 mm OD x 2.1 m) Galvanized Pipe	82 (37.2)
MT54796	3-1/2" OD x 96" (88.9 mm OD x 2.4 m) Galvanized Pipe	94 (42.6)
MT-547-126	3-1/2" OD x 126" (88.9 mm OD x 3.2 m) Galvanized Pipe	125 (56.7)



Co-location Kits

Lattice Tower Co-location Dual Pipe Mounts

- Application:** Lattice towers
- Size:** 57" (1.4 m) face with 48" (1.2 m) separation
- Design:** Mounts off the apex of tower leg
- Feature:** Down tilt capabilities
- Mounts to:** Straight or tapered legs up to 8-5/8" OD (219.1 mm OD), 8" (203.2 mm) angle 60°, or 6" (152.4 mm) angle 90°
- Material:** Hot dip galvanized steel
- Includes:** Mount, weldment, hardware
- Order Separately:** Available with or without pipe, struts



**Man Rating:** 250 lb vertical man load at 15 mph (BWS)  
**Wind Rating\*:** 120 mph (BWS) per latest revision of TIA/EIA-222  
 140 mph 3-second gust, Exposure "D" per FBC, at 150' AGL

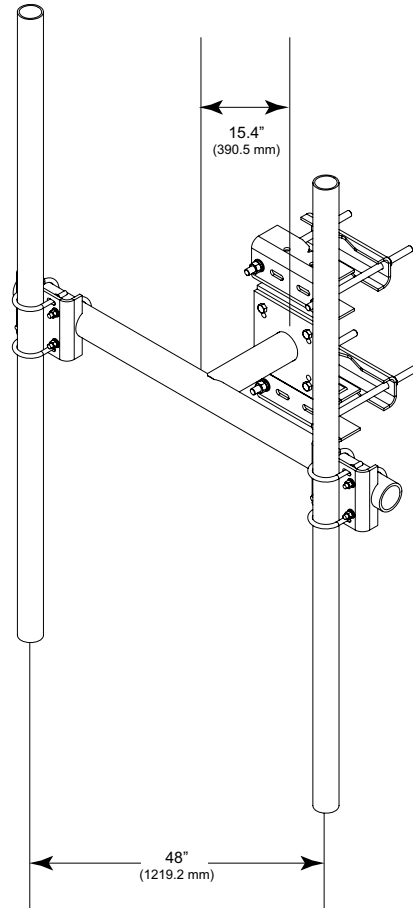
Part Number	Description	Weight, lb (kg)
-------------	-------------	-----------------

Universal Lattice Tower Base Kit Without Pipe Mounts		
SF-DPM-B	Dual Pipe Mount Base Kit	150 (68.0)

Universal Lattice Tower Kit With 2-3/8" OD Antenna Mounting Pipes		
SF-DPM2-B	Dual Pipe Mount Base Kit. Pipes Ordered Separately	215 (97.5)
SF-DPM2-72	Two 2-3/8" OD x 72" (60.3 mm OD x 1.8 m)	255 (115.7)
SF-DPM2-96	Two 2-3/8" OD x 96" (60.3 mm OD x 2.4 m)	270 (122.5)
SF-DPM2-126	Two 2-3/8" OD x 126" (60.3 mm OD x 3.2 m)	290 (131.5)

Universal Lattice Tower Kit With 2-7/8" (73 mm) OD Antenna Mounting Pipes		
SF-DPM3-B	Dual Pipe Mount Base Kit. Pipes Ordered Separately	215 (97.5)
SF-DPM3-72	Two 2-7/8" OD x 72" (73 mm OD x 1.8 m)	285 (129.3)
SF-DPM3-96	Two 2-7/8" OD x 96" (73 mm OD x 2.4 m)	310 (140.6)
SF-DPM3-126	Two 2-7/8" OD x 126" (73 mm OD x 3.2 m)	340 (154.2)

Universal Lattice Tower Kit With 3-1/2" (89 mm) OD Antenna Mounting Pipes		
SF-DPM35-B	Dual Pipe Mount Base Kit. Pipes Ordered Separately	215 (97.5)
SF-DPM35-72	Two 3-1/2" OD x 72" (88.9 mm OD x 1.8 m)	305 (138.3)
SF-DPM35-96	Two 3-1/2" OD x 96" (88.9 mm OD x 2.4 m)	335 (152.0)
SF-DPM35-126	Two 3-1/2" OD x 126" (88.9 mm OD x 3.2 m)	375 (170.1)

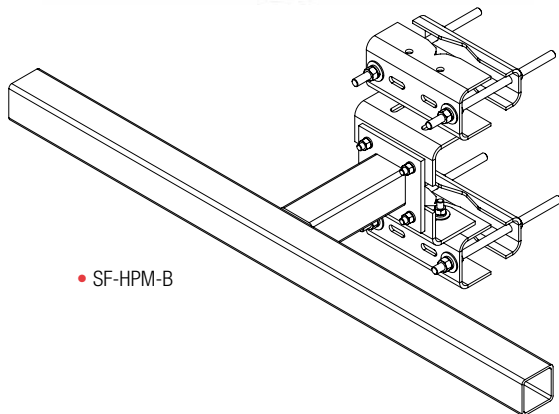
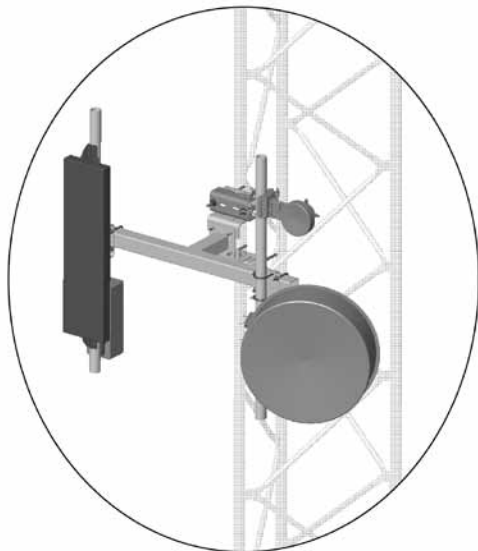


## Tower Mounts

### Co-location Kits

#### Square Tube Sector Frames

- Application:** Lattice towers
- Size:** 66" (1.7 m) Sector face with 60" (1.5 m) separation
- Design:** Square tube frame for mounting off the apex of a tower leg
- Feature:** Complete 3-sector kit
- Mounts to:** Straight or tapered legs up to 8-5/8" OD (219.1 mm OD), 8" (203.2 mm) angle 60°, or 6" (152.4 mm) angle 90°
- Material:** Hot dip galvanized steel
- Includes:** Frames, saddle mounts, hardware, pipes
- Order Separately:** Additional pipes, pipe mounts, struts



• SF-HPM-B

See Pipe and Pipe Mount Table on Page 12

Part Number	Description	Weight, lb (kg)
-------------	-------------	-----------------

#### Universal Lattice Tower Base Kit Without Pipe Mounts

SF-HPM-B	Dual Pipe Mount Base Kit	140 (63.4)
----------	--------------------------	------------

#### Universal Lattice Tower Kit With 2-7/8" OD (73 mm OD) Pipes

SF-HPM3-B	Pipes Ordered Separately	183 (83)
-----------	--------------------------	----------

SF-HPM3-72	Two 2-7/8" OD x 72" (73 mm OD x 1.8 m) Pipes Included	252 (114)
------------	-------------------------------------------------------	-----------

SF-HPM3-96	Two 2-7/8" OD x 96" (73 mm OD x 2.4 m) Pipes Included	276 (125.2)
------------	-------------------------------------------------------	-------------

SF-HPM3-126	Two 2-7/8" OD x 126" (73 mm OD x 3.2 m) Pipes Included	304 (138)
-------------	--------------------------------------------------------	-----------

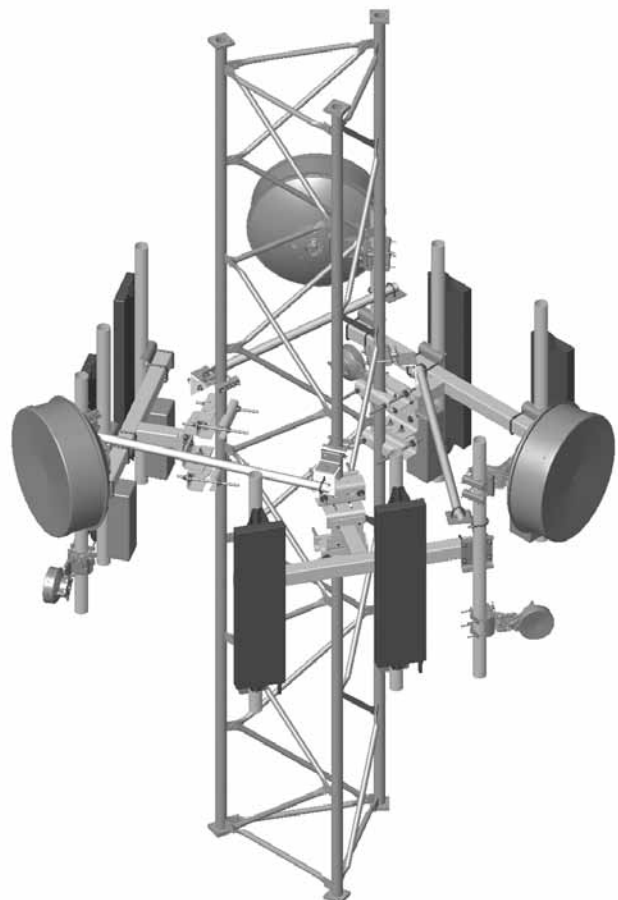
#### Universal Lattice Tower Kit With 3-1/2" OD (88.9 mm OD) Pipes

SF-HPM35-B	Pipes Ordered Separately	184 (83.5)
------------	--------------------------	------------

SF-HPM35-72	Two 3-1/2" OD x 72" (88.9 mm OD x 1.8 m) Pipes Included	274 (124)
-------------	---------------------------------------------------------	-----------

SF-HPM35-96	Two 3-1/2" OD x 96" (88.9 mm OD x 2.4 m) Pipes Included	306 (139)
-------------	---------------------------------------------------------	-----------

SF-HPM35-126	Two 3-1/2" OD x 126" (88.9 mm OD x 3.2 m) Pipes Included	346 (157)
--------------	----------------------------------------------------------	-----------



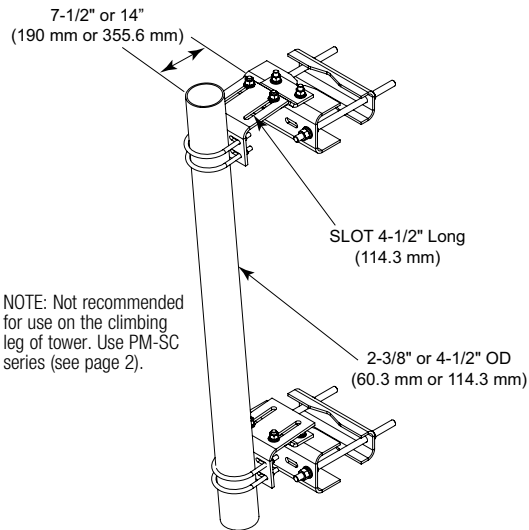
## Leg Mounting Solutions

### Universal Sliding Pipe Mount Kits

- Application:** Lattice towers
- Size:** 2-3/8" or 4-1/2" OD (60.3 mm or 114.3 mm OD)
- Design:** Pipe with saddle mount and adjustable clamps
- Feature:** Universal sliding bracket with up to 7° of taper
- Mounts to:** Straight or tapered legs up to 16" OD (406.4 mm OD), 16" (406.4 mm) angle 60°, or 12" (304.8 mm) angle 90°
- Material:** Hot dip galvanized steel
- Includes:** Universal saddle mount, sliding pipe mount brackets, with or without pipe
- Order Separately:** Pipes for base kits

**Wind Rating\*:** 120 mph (BWS) per latest revision of TIA/EIA-222 at 150' AGL

\*Typical installation of one 8' microwave antenna with stiff arm



NOTE: Not recommended for use on the climbing leg of tower. Use PM-SC series (see page 2).



Part Number	Description	Weight, lb (kg)
-------------	-------------	-----------------

Universal Sliding Pipe Mount Kits, for Round or 60° Angle Legs up to 8" (203.2 mm), or 6" (152.4 mm) 90° Angle Legs, 2-3/8" (60.3 mm) Antenna Mounting Pipe

PM-SU2-B	Base Kit, Order Pipe Separately, Kit of 2	80 (32.3)
PM-SU2-72	2-3/8" OD x 72" (60.3 mm OD x 1.8 m)	101 (45.8)
PM-SU2-96	2-3/8" OD x 96" (60.3 mm OD x 2.4 m)	114 (51.7)

Universal Sliding Pipe Mount Kits, for Round or 60° Angle Legs up to 16" (406.4 mm), or 12" (304.8 mm) 90° Angle Legs, 2-3/8" (60.3 mm) Antenna Mounting Pipe

PML-SU2-B	Base Kit, Order Pipe Separately, Kit of 2	80 (32.3)
PML-SU2-72	2-3/8" OD x 72" (60.3 mm OD x 1.8 m)	101 (45.8)
PML-SU2-96	2-3/8" OD x 96" (60.3 mm OD x 2.4 m)	114 (51.7)

Universal Sliding Pipe Mount Kits, for Round or 60° Angle Legs up to 8" (203.2 mm), or 6" (152.4 mm) 90° Angle Legs, 14" (355.6 mm) Stand-off, 2-3/8" (60.3 mm) Antenna Mounting Pipe

PM-SU2L-B	Base Kit, Order Pipe Separately, Kit of 2	90 (40.9)
PM-SU2L-72	2-3/8" OD x 72" (60.3 mm OD x 1.8 m)	110 (49.9)
PM-SU2L-96	2-3/8" OD x 96" (60.3 mm OD x 2.4 m)	121 (54.9)

Universal Sliding Pipe Mount Kits, for Round or 60° Angle Legs up to 16" (406.4 mm), or 12" (304.8 mm) 90° Angle Legs, 14" (355.6 mm) Stand-off, 2-3/8" (60.3 mm) Antenna Mounting Pipe

PML-SU2L-B	Base Kit, Order Pipe Separately, Kit of 2	90 (40.9)
PML-SU2L-72	2-3/8" OD x 72" (60.3 mm OD x 1.8 m)	110 (49.9)
PML-SU2L-96	2-3/8" OD x 96" (60.3 mm OD x 2.4 m)	121 (54.9)

Universal Sliding Pipe Mount Kits, for Round or 60° Angle Legs up to 8" (203.2 mm), or 6" (152.4 mm) 90° Angle Legs, 4-1/2" (114.3 mm) Antenna Mounting Pipe

PM-SU4-B	Base Kit, Order Pipe Separately, Kit of 2	81 (36.8)
PM-SU4-63	4-1/2" OD x 63" (114.3 mm OD x 1.6 m)	138 (62.6)
PM-SU4-96	4-1/2" OD x 96" (114.3 mm OD x 2.4 m)	169 (76.7)

Universal Sliding Pipe Mount Kits, for Round or 60° Angle Legs up to 16" (406.4 mm), or 12" (304.8 mm) 90° Angle Legs, 4-1/2" (114.3 mm) Antenna Mounting Pipe

PML-SU4-B	Base Kit, Order Pipe Separately, Kit of 2	81 (36.8)
PML-SU4-63	4-1/2" OD x 63" (114.3 mm OD x 1.6 m)	138 (62.6)
PML-SU4-96	4-1/2" OD x 96" (114.3 mm OD x 2.4 m)	169 (76.7)

Universal Sliding Pipe Mount Kits, for Round or 60° Angle Legs up to 8" (203.2 mm), or 6" (152.4 mm) 90° Angle Legs, 14" (355.6 mm) Stand-off 4-1/2" (114.3 mm) Antenna Mounting Pipe

PM-SU4L-B	Base Kit, Order Pipe Separately, Kit of 2	90 (40.9)
PM-SU4L-63	4-1/2" OD x 63" (114.3 mm OD x 1.6 m)	145 (65.8)
PM-SU4L-96	4-1/2" OD x 96" (114.3 mm OD x 2.4 m)	175 (79.4)

Universal Sliding Pipe Mount Kits, for Round or 60° Angle Legs up to 16" (406.4 mm), or 12" (304.8 mm) 90° Angle Legs, 14" (355.6 mm) Stand-off, 4-1/2" (114.3 mm) Antenna Mounting Pipe

PML-SU4L-B	Base Kit, Order Pipe Separately, Kit of 2	90 (40.9)
PML-SU4L-63	4-1/2" OD x 63" (114.3 mm OD x 1.6 m)	145 (65.8)
PML-SU4L-96	4-1/2" OD x 96" (114.3 mm OD x 2.4 m)	175 (79.4)

## Tower Mounts

### Leg Mounting Solutions

#### Universal Pipe Mount Kits

- Application:** Antenna leg mounting for round or angle towers
- Size:** 2-3/8" or 4-1/2" OD (60.3 mm or 114.3 mm OD)
- Design:** Pipe with saddle mount and adjustable clamps
- Feature:** Designed for climbing leg
- Mounts to:** Straight or tapered legs up to 16" OD (406.4 mm OD), 16" (406.4 mm) angle 60°, or 12" (304.8 mm) angle 90°
- Material:** Hot dip galvanized steel
- Includes:** Universal saddle mount, taper adjustment brackets, with or without pipe
- Order Separately:** Pipes for base kits

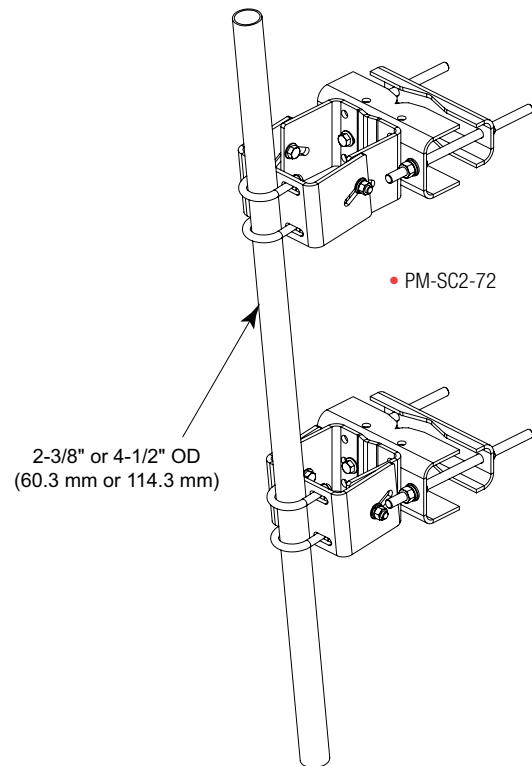
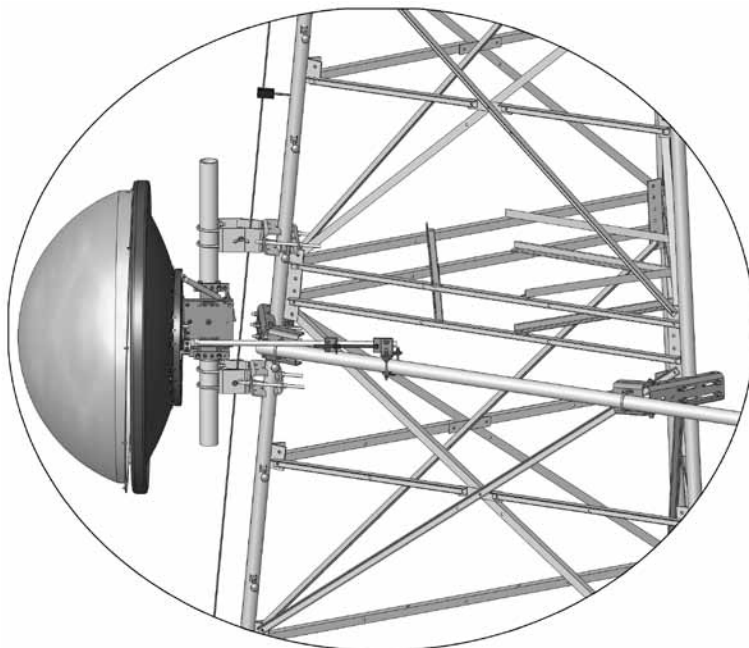
**Wind Rating\*:** 120 mph (BWS) per latest revision of TIA/EIA-222 at 150' AGL

*\*Typical installation of one 8' microwave antenna with stiff arms*

Part Number	Description
-------------	-------------

Universal Pipe Mount Kit With Open Face Taper Adjustment, for Round or 60° Angle Legs up to 8" (203.2 mm) or 6" (152.4 mm) 90° Angle Legs	
PM-SC2-B	Pipe Ordered Separately
PM-SC2-72	2-3/8" x 72" (60.3 mm x 1.8 m) Antenna Mounting Pipe
PM-SC2-96	2-3/8" x 96" (60.3 mm x 2.4 m) Antenna Mounting Pipe
PM-SC4-B	Pipe Ordered Separately
PM-SC4-63	4-1/2" x 63" (114.3 mm x 1.6 m) Antenna Mounting Pipe
PM-SC4-96	4-1/2" x 96" (114.3 mm x 2.4 m) Antenna Mounting Pipe

Universal Pipe Mount Kit With Open Face Taper Adjustment, for Round or 60° Angle Legs up to 16" (406.4 mm), or 12" (304.8 mm) 90° Angle Legs	
PML-SC2-B	Pipe Ordered Separately
PML-SC2-72	2-3/8" x 72" (60.3 mm x 1.8 m) Antenna Mounting Pipe
PML-SC2-96	2-3/8" x 96" (60.3 mm x 2.4 m) Antenna Mounting Pipe
PML-SC4-B	Pipe Ordered Separately
PML-SC4-63	4-1/2" x 63" (114.3 mm x 1.6 m) Antenna Mounting Pipe
PML-SC4-96	4-1/2" x 96" (114.3 mm x 2.4 m) Antenna Mounting Pipe





Leg Mounting Solutions

Microwave Dish Support

**Application:** Structural strut supports for round or angle tower legs

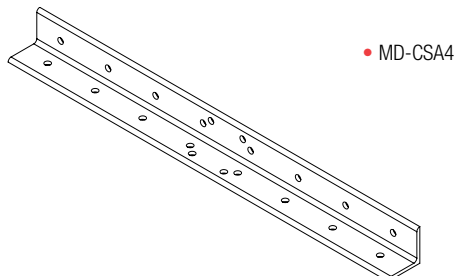
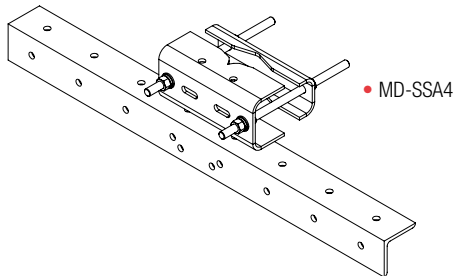
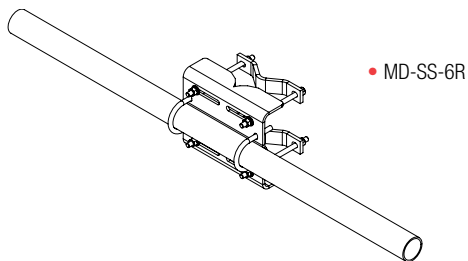
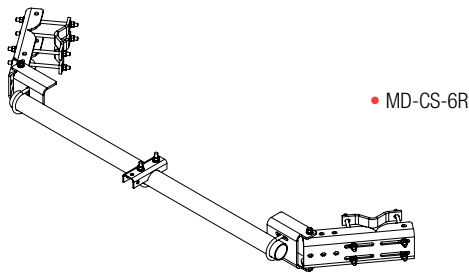
**Size:** 4', 6', 8', or 10' (1.2 m, 1.8 m, 2.4 m, or 3.1 m) Tower faces

**Design:** Round or angle strut support kits

**Feature:** Tower face strut support kits

**Mounts to:** Straight or tapered legs up to 16" OD (406.4 mm OD), 16" (406.4 mm) angle 60°, or 12" (304.8 mm) angle 90°

**Material:** Hot dip galvanized steel



Part Number Description

**Tower Face Mounted Microwave Dish Channel Support Kit, for Round or 60° Angle Legs up to 8" (203.2 mm), or 6" (152.4 mm) 90° Angle Legs**

MD-CS-6R	6' (1.8 m) Plain End Pipe
MD-CS-8R	8' (2.4 m) Plain End Pipe
MD-CS-10R	10' (3.1 m) Plain End Pipe

**Tower Face Mounted Microwave Dish Channel Support Kit, for 8" (203.2 mm) to 16" (406.4 mm) Round, or 8" (203.2 mm) to 16" (406.4 mm) 60° Angle Legs or 6" (152.4 mm) to 12" (304.8 mm) 90° Angle Legs**

MDL-CS-6R	6' (1.8 m) Plain End Pipe
MDL-CS-8R	8' (2.4 m) Plain End Pipe
MDL-CS-10R	10' (3.1 m) Plain End Pipe

**Tower Leg Mounted Microwave Dish Strut Support, for Round or 90° Angle Legs up to 8" (203.2 mm), or 6" (152.4 mm) 60° Angle Legs**

MD-SS-6R	6' (1.8 m) Pipe
MD-SS-8R	8' (2.4 m) Pipe

**Tower Leg Mounted Microwave Dish Strut Support Kit, for 8" (203.2 mm) to 16" (406.4 mm) Round, or 8" (203.2 mm) to 16" (406.4 mm) 60° Angle Legs or 6" (152.4 mm) to 12" (304.8 mm) 90° Angle Legs**

MDL-SS-6R	6' (1.8 m) Pipe
MDL-SS-8R	8' (2.4 m) Pipe

**Tower Leg Mounted Microwave Dish Strut Support, for Round or 60° Angle Legs up to 8" (203.2 mm), or 6" (152.4 mm) 90° Angle Legs**

MD-SSA4	4' (1.2 m) Angle
MD-SSA6	6' (1.8 m) Angle

**Tower Leg Mounted Microwave Dish Strut Support Kit, for 8" (203.2 mm) to 16" (406.4 mm) Round, or 8" (203.2 mm) to 16" (406.4 mm) 60° Angle Legs or 6" (152.4 mm) to 12" (304.8 mm) 90° Angle Legs**

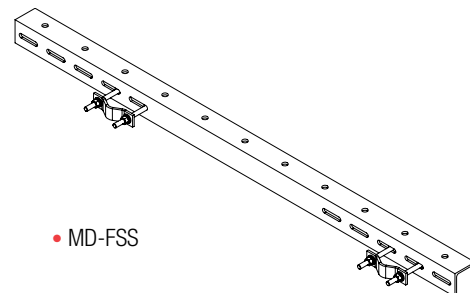
MDL-SSA4	4' (1.2 m) Angle
MDL-SSA6	6' (1.8 m) Angle

Angle for MD-CS Series

MD-CSA4	3/8" x 3-1/2" x 3-1/2" x 4' (9.5 mm x 88.9 mm x 89 mm x 1.2 m)
MD-CSA6	3/8" x 3-1/2" x 3-1/2" x 6' (9.5 mm x 88.9 mm x 89 mm x 1.8 m)
MD-CSA8	3/8" x 3-1/2" x 3-1/2" x 8' (9.5 mm x 88.9 mm x 89 mm x 2.4 m)

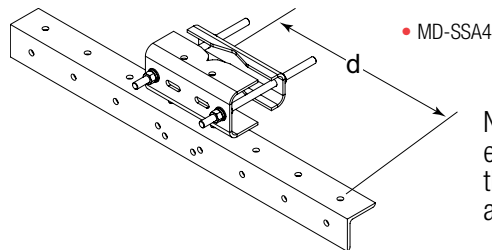
Microwave Dish Face Strut Support

MD-FSS	3/8" x 3" x 3" x 5' 6" (9.5 mm x 76.2 mm x 76.2 mm x 1.7 m)
--------	----------------------------------------------------------------

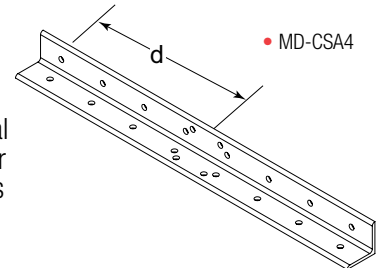


## Tower Mounts

### Leg Mounting Solutions



• MD-SSA4

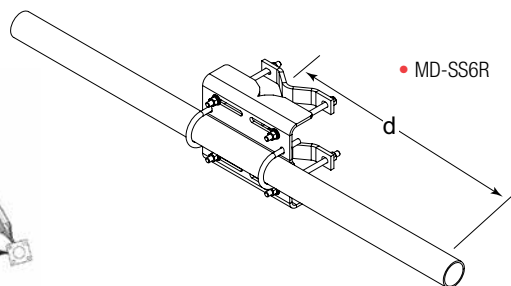
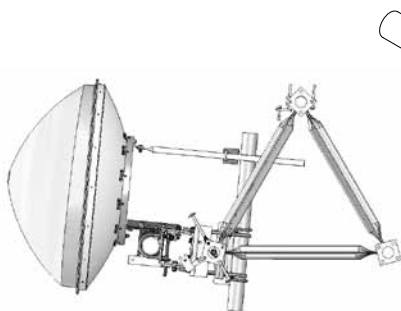


• MD-CSA4

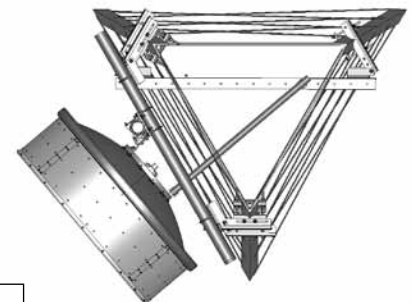
NOTE: It is assumed that a qualified structural engineer has reviewed the tower structure for the loads created by the microwave antennas and strut supports.

USAGE	MD-SSA4	MD-SSA6	MD-SSA8
Saddle Mount Attached in Center of Angle			
Max. distance from leg (d)	24" (610 mm)	36" (914.4 mm)	48" (1219.2 mm)
Acceptable Load	2000 lb (907.2 kg)	1500 lb (680.4 kg)	1000 lb (454 kg)

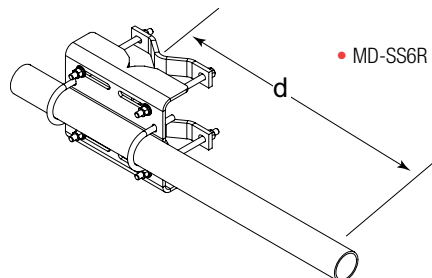
USAGE	MD-CSA4	MD-CSA6	MD-CSA8
Angle Attached at Each End to Tower Leg Mount			
Max. distance from legs (d)	24" (610 mm)	36" (914.4 mm)	48" (1219.2 mm)
Acceptable Load	2500 lb (1134 kg)	2500 lb (1134 kg)	2000 lb (907.2 kg)



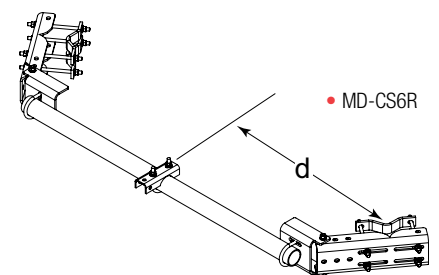
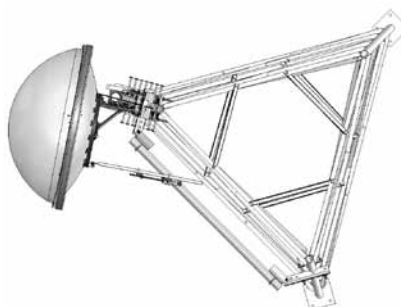
• MD-SS6R



USAGE	MD-SS6R	MD-SS8R	MD-SS10R
Saddle Mount Attached in Center of Pipe			
Max. distance from leg (d)	36" (914.4 mm)	48" (1219.2 mm)	60" (1524 mm)
Acceptable Load	2500 lb (1134 kg)	2000 lb (907.2 kg)	1500 lb (680.4 kg)



• MD-SS6R



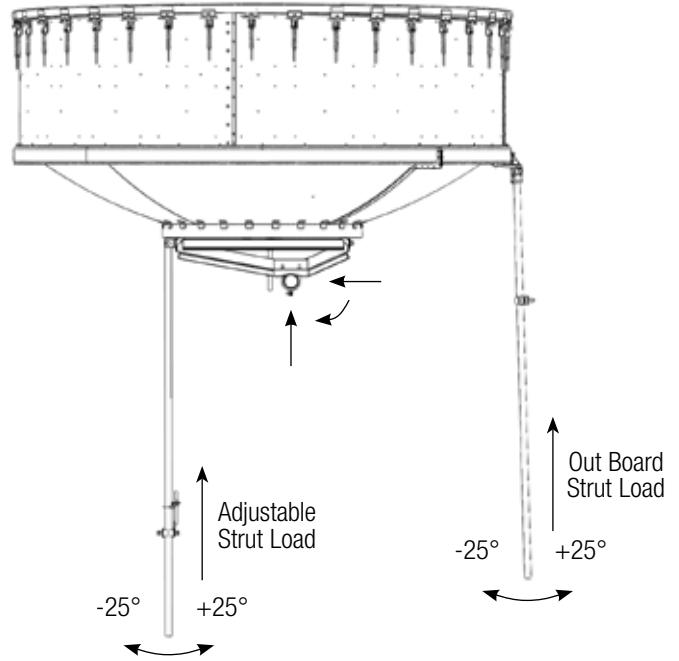
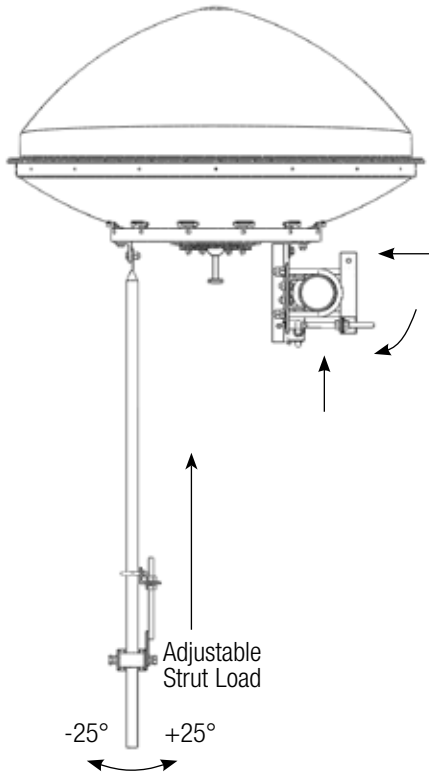
• MD-CS6R

USAGE	MD-SS6R	MD-SS8R	MD-SS10R
Saddle Mount Attached at One End of Pipe			
Max. distance from leg (d)	60" (1524 mm)	84" (2134 mm)	108" (2743 mm)
Acceptable Load	1500 lb (680.4 kg)	1000 lb (454 kg)	500 lb (227 kg)

USAGE	MD-CS6R	MD-CS8R	MD-CS10R
Pipe Attached at Each End to Tower Leg Mount			
Max. distance from legs (d)	36" (914.4 mm)	48" (1219.2 mm)	60" (1524 mm)
Acceptable Load	2500 lb (1134 kg)	2500 lb (1134 kg)	2500 lb (1134 kg)



Leg Mounting Solutions



Size ft. (m)	Adjustable Strut Force, lb (N)	Out Board Force, lb (N)
4 (1.2)	500 (2200)	-
6 (1.8)	1400 (9207)	-
8 (2.4)	958 (4261)	1265 (5627)
10 (3.0)	1320 (5871)	1987 (8838)
12 (3.7)	1799 (8001)	2585 (11498)

NOTE:

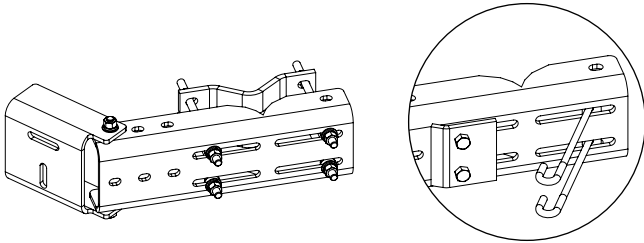
A 4' dish stiff arm can see in survival winds up to 600 lbs. of load, and in working load wind conditions the mount cannot flex or deflect more than 0.1". A 6' dish stiff arm can see in survival winds up to 1400 lbs of load, and in working load wind conditions the mount cannot flex or deflect more than 0.1". In addition this arm must have a horizontal angle of less than 25° and less than 5° in the vertical direction."

**Tower Mounts**

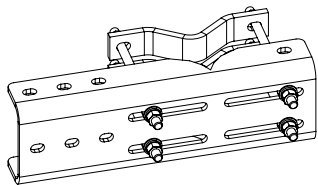
**Leg Mounting Solutions**

**Microwave Strut Support**

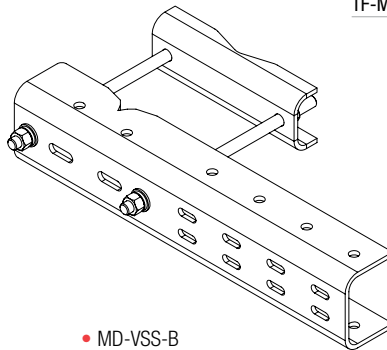
- Application:** Structural strut supports for round or angle tower legs
- Size:** 21" (533.4 mm) channel
- Design:** Universal support bracket
- Feature:** Universal strut attachment
- Mounts to:** Straight or tapered legs up to 16" OD (406.4 mm OD), 16" (406.4 mm) angle 60°, or 12" (304.8 mm) angle 90°
- Material:** Hot dip galvanized steel
- Includes:** Support bracket, attachment hardware
- Order Separately:** Microwave strut pipe or angle, u-bolt



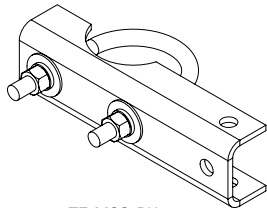
• MD-CS / • MD-CSL



• MD-CS-B



• MD-VSS-B



• TF-MSS-BK

**Part Number Description**

**Microwave Dish Strut Support Bracket for Round or 60° Angle Legs up to 8" (203.2 mm), or 6" (152.4 mm) 90° Angle Legs**

MD-CS	Universal, for Mounting up to 3-1/2" (88.9 mm) Face Pipes on Round or Angle Legs (Kit of 1)
MD-CSL	Universal, for Mounting up to 4-1/2" (114.3 mm) Face Pipes on Round or Angle Legs (Kit of 1)
MD-CS-F	Face Mounted, for Mounting up to 3-1/2" (88.9 mm) Face Pipes on Round or Angle Legs (Kit of 2)
MD-CS-B	Face Mounted, (Kit of 1)

**Microwave Dish Strut Support Bracket, for 8" to 16" (203.2 mm to 406.4 mm) Round, or 8" to 16" (203.2 mm to 406.4 mm) 60° Angle Legs or 6" to 12" (152.4 mm to 304.8 mm) 90° Angle Legs**

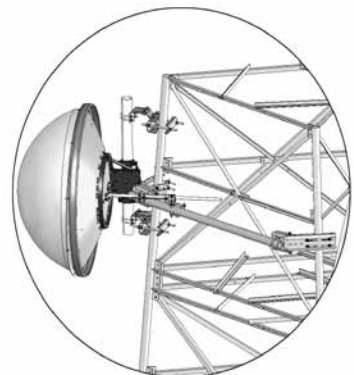
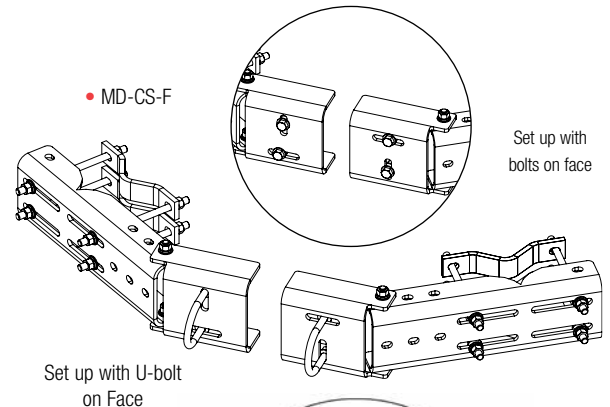
MDL-CS	Universal, for Mounting up to 3-1/2" (88.9 mm) Face Pipes on Round or Angle Legs (Kit of 1)
MDL-CSL	Universal, for Mounting up to 4-1/2" (114.3 mm) Face Pipes on Round or Angle Legs (Kit of 1)
MDL-CS-F	Face Mounted, for Mounting up to 3-1/2" (88.9 mm) Face Pipes on Round or Angle Legs (Kit of 2)
MDL-CS-B	Face Mounted, (Kit of 1)

**Microwave Dish Vertical Strut Support**

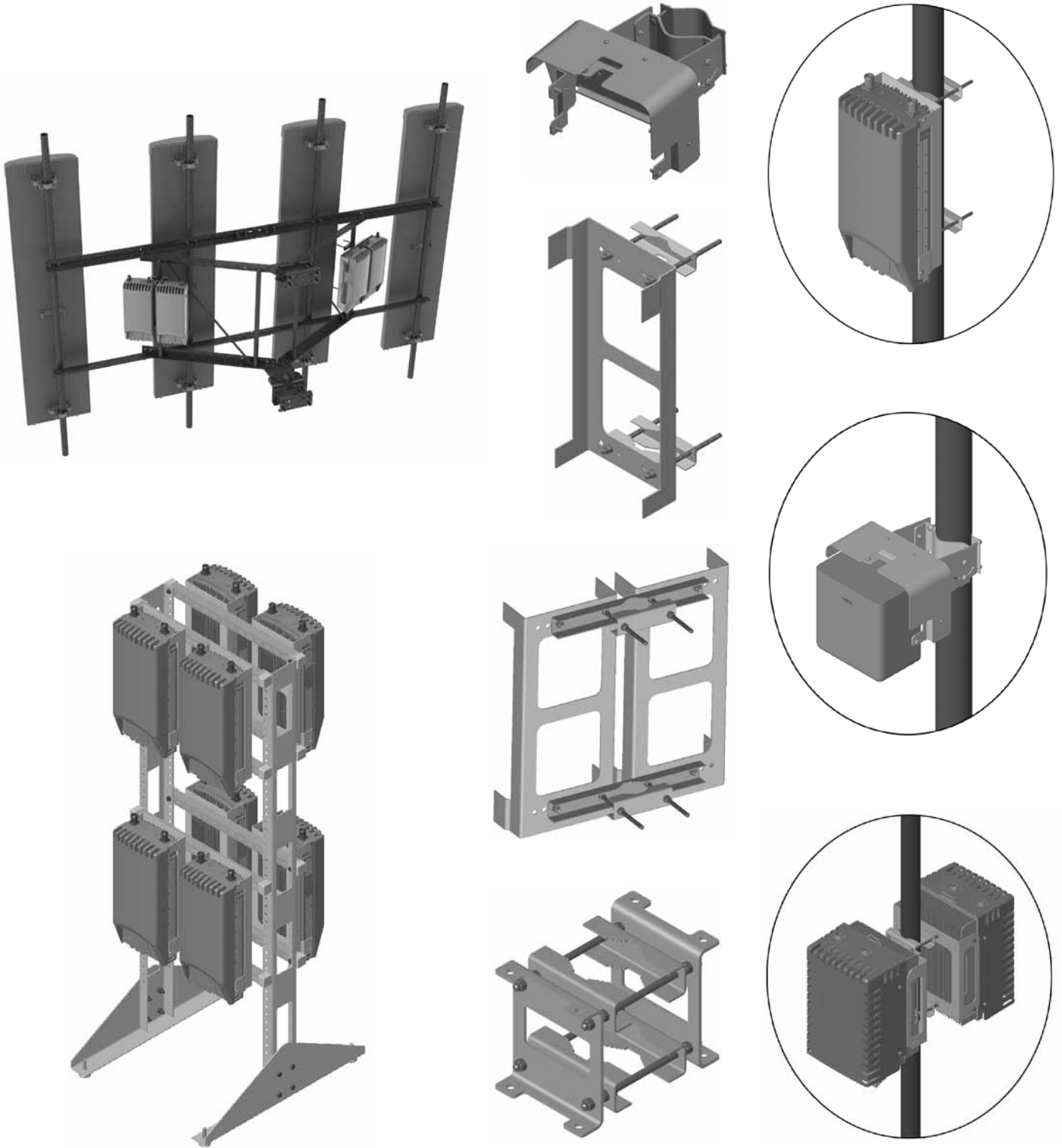
MD-VSS-B	Microwave Dish Vertical Strut Support
----------	---------------------------------------

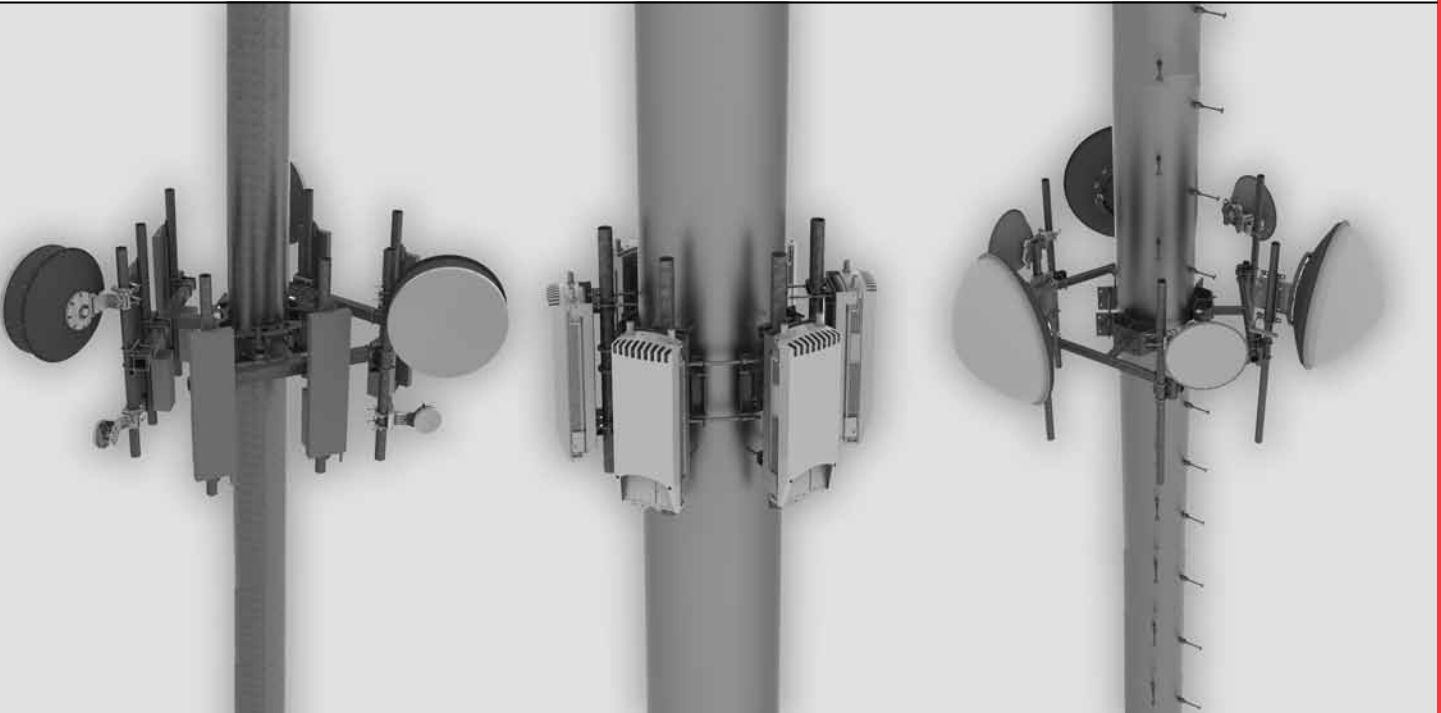
**Microwave Strut Attachment Bracket**

TF-MSS-BK2	For 2-3/8" OD (60.3 mm OD) Pipe
TF-MSS-BK	For 3-1/2" OD (88.9 mm OD) Pipe
TF-MSS-BK45	For 4-1/2" OD (114.3 mm OD) Pipe



Custom designed mount brackets for your remote radios.





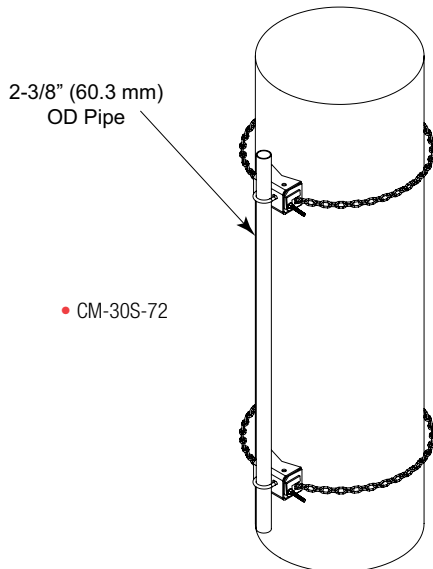
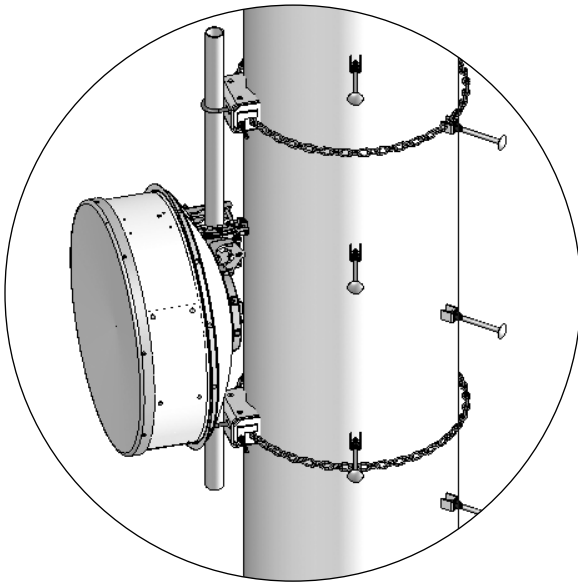
- **Low Profile Chain Mounts**
- **Light Duty Chain Mounts**
- **Heavy Duty Chain Mounts**
- **Microwave Components**

## Monopole Mounts

### Low-profile Chain Mounts

#### Low-profile Chain Mounts

<b>Application:</b>	Chain mount solution for mounting antennas on monopoles
<b>Size:</b>	2-3/8" OD (60.3 mm OD) pipe mounts
<b>Design:</b>	Single antenna chain mounts
<b>Feature:</b>	Universal, low-profile mount
<b>Mounts to:</b>	8" to 60" OD (203.2 mm to 1524 mm OD)
<b>Material:</b>	Hot dip galvanized steel
<b>Includes:</b>	See description



Part Number	Description	Weight, lb (kg)
-------------	-------------	-----------------

**Chain Mount Kits, 8" to 30" OD (203.2 mm to 711.2 mm OD), 25" to 94.2" (635 mm to 2393 mm) Circumference, 8' (2.4 m) Chain**

#### Single Chain Mount Kit

CM-30S-B	Base Kit, 2-3/8" OD (60.3 mm OD), Pipe Ordered Separately	26.76 (12.1)
CM-30S-72	One 2-3/8" OD x 72" (60.3 mm OD x 1.8 m) Pipe	47.76 (21.7)
CM-30S-96	One 2-3/8" OD x 96" (60.3 mm OD x 2.4 m) Pipe	60.26 (27.3)

**Single Chain Mount Kits With Stand-off, 8" to 30" (203.2 mm to 711.2 mm) OD, 25" to 94.2" (635 mm to 2393 mm) Circumference, 8' (2.4 m) Chain**

CML-30S-B	Base Kit, 2-3/8" OD (60.3 mm OD), Pipe Ordered Separately	70 (31.8)
CML-30S-72	One 2-3/8" OD x 72" (60.3 mm OD x 1.8 m) Pipe	90 (40.8)
CML-30S-96	One 2-3/8" OD x 96" (60.3 mm OD x 2.4 m) Pipe	105.76 (48.0)

**Chain Mount Kits, 8" to 60" OD (203.2 mm to 1524 mm OD), 25" to 188" (635 mm to 4785 mm) Circumference, 16' (4.9 m) Chain**

#### Single Chain Mount Kit

CM-60S-B	Base Kit, 2-3/8" OD (60.3 mm OD) Pipe Ordered Separately	38.78 (17.6)
CM-60S-72	One 2-3/8" OD x 72" (60.3 mm OD x 1.8 m) Pipe	59.76 (27.1)
CM-60S-96	One 2-3/8" OD x 96" (60.3 mm OD x 2.4 m) Pipe	72.26 (32.8)

**Single Chain Mount Kits With Stand-off, 8" to 60" OD (203.2 mm to 1524 mm OD), 25" to 188" (635 mm to 4785 mm) Circumference, 16' (4.9 m) Chain**

CML-60S-B	Base Kit, 2-3/8" OD (60.3 mm OD), Pipe Ordered Separately	80 (36.3)
CML-60S-72	One 2-3/8" OD x 72" (60.3 mm OD x 1.8 m) Pipe	105 (47.6)
CML-60S-96	One 2-3/8" OD x 96" (60.3 mm OD x 2.4 m) Pipe	117.76 (53.4)

**Man Rating:** 250 lb vertical man load at 15 mph (BWS)

**Wind Rating\*:** 120 mph (BWS) 1/2" radial ice at 100' AGL per latest revision of TIA/EIA-222

*\*Typical installation of one 3' (1.0 m) microwave antenna per sector*

**NOTE 1:** Low Profile Chain Mounts can be used with microwave antennas 3' and smaller.

**NOTE 2:** To avoid future maintenance issues, excess chain should be removed after final installation.

**NOTE 3:** Monopoles can sway due to wind loading. The amount of sway is dependent on the monopole design, antennas, and the wind speed. A typical 100 ft. (30.5 m) monopole can sway 2-4 ft. (0.6 m - 1.2 m) during 90 mph wind conditions.

## Monopole Mounts

### Light Duty Chain Mounts

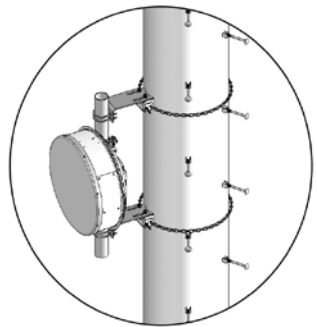
#### Light Duty Chain Mounts

- Application:** Chain mount solution for mounting antennas on monopoles
- Size:** 4-1/2" OD (114.3 mm OD) pipe mounts
- Design:** Single antenna mount
- Feature:** Single chain support
- Mounts to:** 8" to 60" OD (203.2 mm to 1.5 m OD)
- Material:** Hot dip galvanized steel
- Includes:** Pipe mounts and chains
- Order Separately:** Stiff arm and pipe mounts as needed



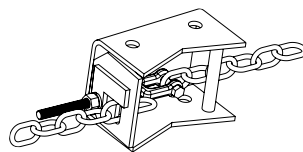
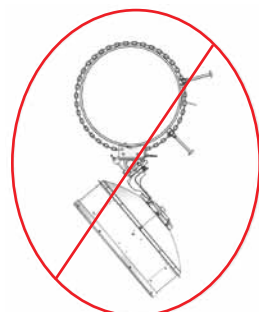
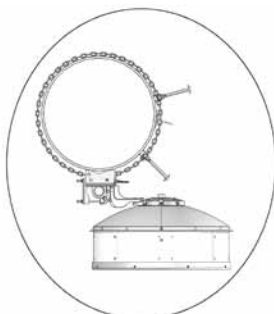
• CM-L30-63 with CM-SL30

NOTE: Shown with 3' (1.0 m) microwave antenna.



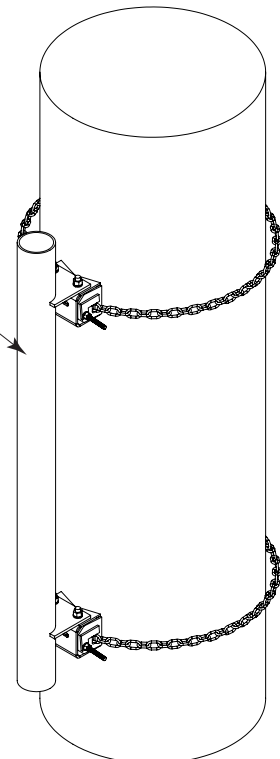
• CML-L30-63

NOTE: Antenna should mount with load plane of dish as shown below



4-1/2" OD Pipe  
(114.3 mm)

• CM-L30-63



Part Number	Description	Wt. lb (kg)
-------------	-------------	-------------

Light Duty Chain Mount Kits, 8" to 30" OD (203.2 mm to 711.2 mm OD), 25" to 94.2" (635 mm to 2393 mm) Circumference, 8' (2.4 m) Chain

CM-L30-B	Base Kit, Pipe Mount Ordered Separately	26.14 (11.9)
CM-L30-63	4-1/2" OD x 63" (114.3 mm OD x 1.6 m) Pipe Mount	90.64 (41.1)

Light Duty Chain Mount Kits With Stand-off, 8" to 30" OD (203.2 mm to 711.2 mm OD), 25" to 94.2" (635 mm to 2393 mm) Circumference, 8' (2.4 m) Chain

CML-L30-B	Base Kit, Pipe Mount Ordered Separately	30 (13.6)
CML-L30-63	4-1/2" OD x 63" (114.3 mm OD x 1.6 m) Pipe Mount	130 (59.0)

Light Duty Chain Mount Kits, 8" to 60" OD (203.2 mm to 1524 mm OD), 25" to 188" (635 mm to 4785 mm) Circumference, 16' (4.9 m) Chain

CM-L60-B	Base Kit, Pipe Mount Ordered Separately	38.14 (17.3)
CM-L60-63	4-1/2" OD x 63" (114.3 mm OD x 1.6 m) Pipe Mount	102.64 (46.6)

Light Duty Chain Mount Kits With Stand-off, 8" to 60" OD (203.2 mm to 1524 mm OD), 25" to 188" (635 mm to 4785 mm) Circumference, 16' (4.9 m) Chain

CML-L60-B	Base Kit, Pipe Mount Ordered Separately	40 (18.1)
CML-L60-63	4-1/2" OD x 63" (114.3 mm OD x 1.6 m) Pipe Mount	140 (63.5)

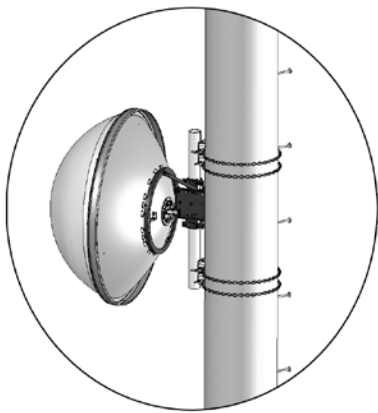


## Monopole Mounts

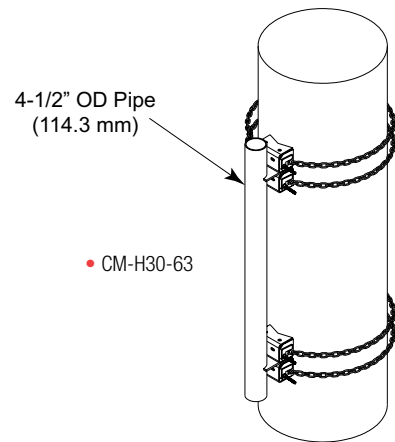
### Heavy Duty Chain Mounts

#### Heavy Duty Chain Mounts

<b>Application:</b>	Chain mount solution for mounting antennas on monopoles
<b>Size:</b>	4-1/2" OD (114.3 mm OD) pipe mounts
<b>Design:</b>	Single antenna mount
<b>Feature:</b>	Double chain support
<b>Mounts to:</b>	8" to 60" OD (203.2 mm to 1.5 m OD)
<b>Material:</b>	Hot dip galvanized steel
<b>Includes:</b>	Pipe mounts and chains
<b>Order Separately:</b>	Stiff arm and pipe mounts as needed



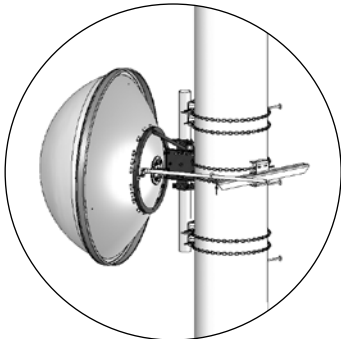
NOTE: Use Heavy Duty Chain Mounts for 3' (1 m) and larger microwave antennas



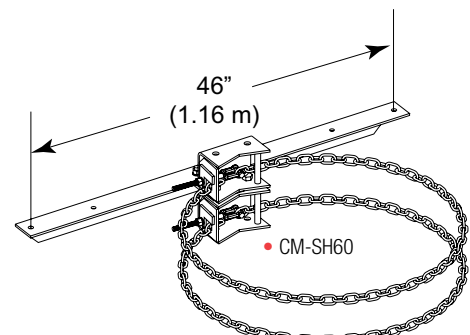
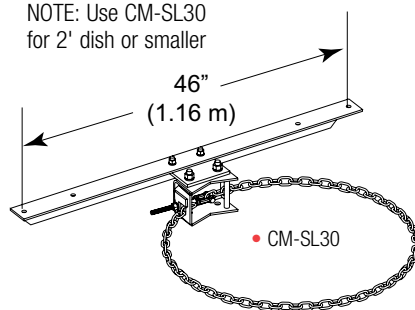
Part Number	Description	Weight, lb (kg)
<b>Heavy Duty Chain Mount Kits, 8" to 30" OD (203.2 mm to 711.2 mm OD), 25" to 94.2" (635 mm to 2393 mm) Circumference, 8' (2.4 m) Chain</b>		
CM-H30-B	Base Kit, Pipe Mount Ordered Separately	52.12 (23.6)
CM-H30-63	4-1/2" OD x 63" (114.3 mm OD x 1.6 m) Pipe Mount	116.62 (52.9)
<b>Heavy Duty Chain Mount Kits, 8" to 60" OD (203.2 mm to 1524 mm OD), 25" to 188" (635 mm to 4785 mm) Circumference, 16' (4.9 m) Chain</b>		
CM-H60-B	Base Kit, Pipe Mount Ordered Separately	76.12 (34.5)
CM-H60-63	4-1/2" OD x 63" (114.3 mm OD x 1.6 m) Pipe Mount	140.62 (63.8)

#### Monopole Stiff Arm Mounts

<b>Application:</b>	Chainmount solution for attaching struts on monopoles
<b>Size:</b>	48" (1.2 m) arm
<b>Design:</b>	Chain mounted support arm
<b>Feature:</b>	Adapts stiff arm to monopole
<b>Mounts to:</b>	8" to 60" OD (203.2 mm to 1.5 m OD)
<b>Material:</b>	Hot dip galvanized steel
<b>Includes:</b>	Arm and chains
<b>Order Separately:</b>	Antenna chain mount and stiff arm



NOTE: Use CM-SL30 for 2' dish or smaller



Part Number	Description	Weight, lb (kg)
<b>Monopole Stiff Arm Mount Kits, 8" to 30" OD (203.2 mm to 711.2 mm OD), 25" to 94.2" (635 mm to 2393 mm) Circumference</b>		
CM-SL30	Light Duty Stiff Arm Mount, Single 8' (2.4 m) Chain	37.0 (16.8)
CM-SH30	Heavy Duty Stiff Arm Mount, Double 8' (2.4 m) Chains	50.0 (22.7)
<b>Monopole Stiff Arm Mount Kits, 8" to 60" OD (203.2 mm to 1524 mm OD), 25" to 188" (635 mm to 4785 mm) Circumference</b>		
CM-SL60	Light Duty Stiff Arm Mount, Single 16' (4.9 m) Chain	43.0 (19.5)
CM-SH60	Heavy Duty Stiff Arm Mount, Double 16' (4.9 m) Chains	62.0 (28.1)

NOTE: Supports up to 1,000 lbs. load at end, or 2,000 lbs. 10" from end

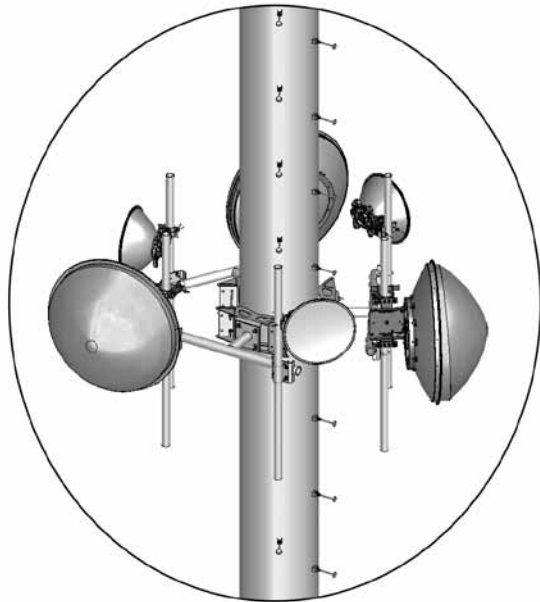


## Monopole Mounts

### Microwave Components

#### Low-profile Adjustable Co-location Kit

- Application:** Co-location kit for monopoles
- Size:** 57" (1.4 m) face with 48" (1.2 m) separation
- Design:** Universal double antenna mount
- Feature:** Down tilt capabilities
- Mounts to:** 12" to 50" OD (304.8 mm to 1.27 m OD) monopoles
- Material:** Hot dip galvanized steel
- Includes:** Mount, weldment, hardware
- Order Separately:** Pipe, pipe mounts, struts



Part Number	Description	Weight, lb (kg)
-------------	-------------	-----------------

#### Universal Monopole Co-location Kit, 12" to 50" OD (304.8 mm to 1.27 m OD) Pole, Without Pipe Mounts

MC-DPMM-B	Pipe Mounts Ordered Separately	335 (152.0)
-----------	--------------------------------	-------------

#### Universal Monopole Co-location Kit, 12" to 50" OD (304.8 mm to 1.27 m OD) Pole, With 2-3/8" OD (60.3 mm OD) Pipe Mounts

MC-DPM2M-6-B	Pipes Ordered Separately	545 (247.2)
MC-DPM2M-6-72	Six 2-3/8" OD x 72" (60.3 mm OD x 1.8 m)	675 (306.2)
MC-DPM2M-6-96	Six 2-3/8" OD x 96" (60.3 mm OD x 2.4 m)	720 (326.6)
MC-DPM2M-6-126	Six 2-3/8" OD x 126" (60.3 mm OD x 3.2 m)	775 (351.5)

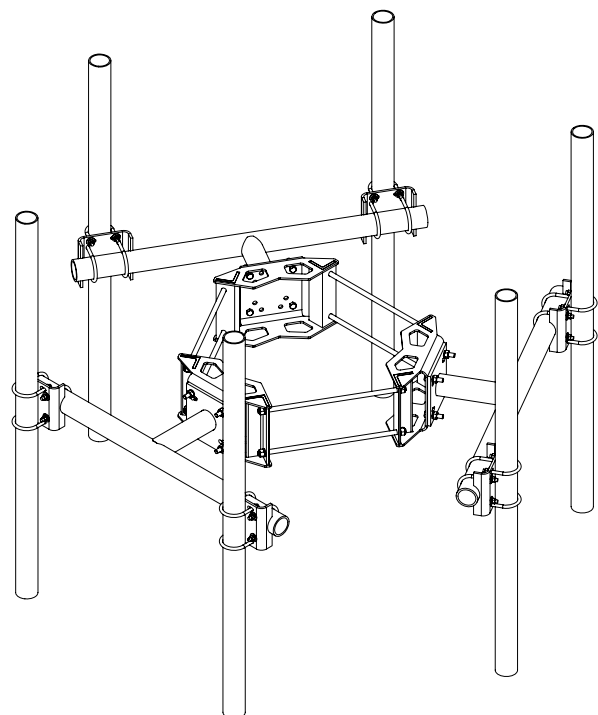
#### Universal Monopole Co-location Kit, 12" to 50" OD (304.8 mm to 1.27 m OD) Pole, With 2-7/8" (73 mm) OD Pipe Mounts

MC-DPM3M-6-B	Pipes Ordered Separately	555 (251.7)
MC-DPM3M-6-72	Six 2-7/8" OD x 72" (73 mm OD x 1.8 m)	765 (347.0)
MC-DPM3M-6-96	Six 2-7/8" OD x 96" (73 mm OD x 2.4 m)	835 (378.8)
MC-DPM3M-6-126	Six 2-7/8" OD x 126" (73 mm OD x 3.2 m)	925 (419.6)

#### Universal Monopole Co-location Kit, 12" to 50" OD (304.8 mm to 1.27 m OD) Pole, With 3-1/2" (88.9 mm) OD Pipe Mounts

MC-DPM35M-6-B	Pipes Ordered Separately	555 (251.7)
MC-DPM35M-6-72	Six 3-1/2" OD x 72" (88.9 mm OD x 1.8 m)	830 (376.5)
MC-DPM35M-6-96	Six 3-1/2" OD x 96" (88.9 mm OD x 2.4 m)	925 (419.6)
MC-DPM35M-6-126	Six 3-1/2" OD x 126" (88.9 mm OD x 3.2 m)	1035 (469.5)

NOTE: Shown with 3' (1 m) microwave antennas



**Man Rating:** 250 lb vertical man load at 15 mph (BWS)

**Wind Rating\*:** 120 mph (BWS) per latest revision of TIA/EIA-222  
140 mph 3-second gust, Exposure "D" per FBC, at 150' AGL

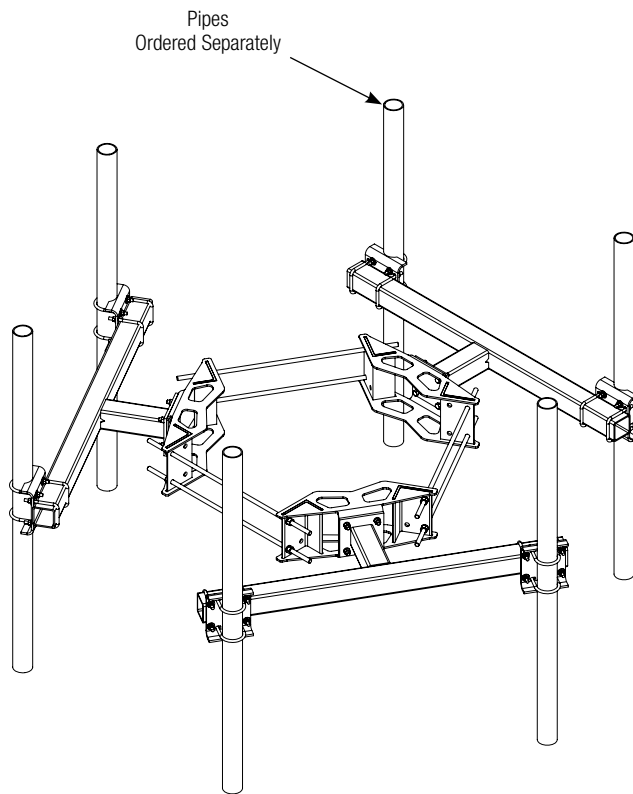
See Pipe and Pipe Mount Table on Page 12

## Monopole Mounts

### Co-location Kits

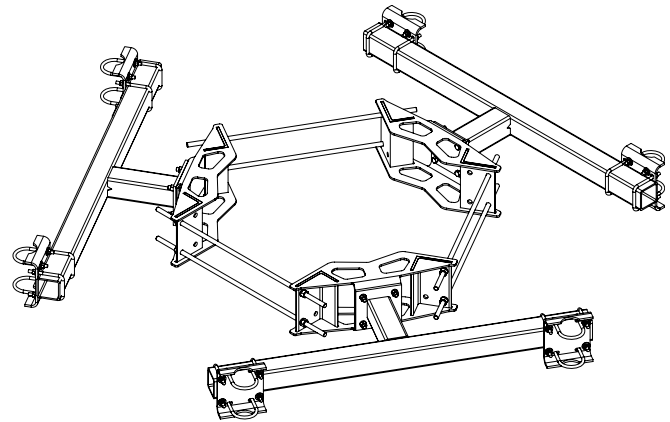
#### Square Tube Co-location Frames

<b>Application:</b>	Monopoles
<b>Size:</b>	66" (1.7 m) Sector face with 60" (1.5 m) separation
<b>Design:</b>	Square tube frame for co-location on monopoles
<b>Feature:</b>	Complete kit
<b>Mounts to:</b>	12" - 50" OD (305 mm - 1270 mm OD) Monopoles
<b>Material:</b>	Hot dip galvanized steel
<b>Includes:</b>	Ring mount, square tube frames, pipe mounts, hardware
<b>Order Separately:</b>	Additional pipe mounts, pipe, struts

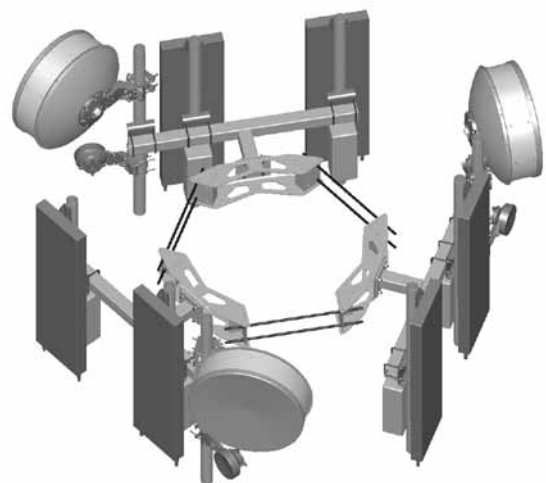


See Pipe and Pipe Mount Table on Page 12

Part Number	Description	Weight, lb (kg)
<b>Three Sector Square Tube Co-location Frames</b>		
MC-HPM1250-B	Co-location Kit, 66" (1.7 m) Square Tube Face, With (6) 3-1/2" OD x 72" (88.9 mm OD x 1.8 m) Pipe Mounts	535 (242.3)



• MC-HPM1250-B

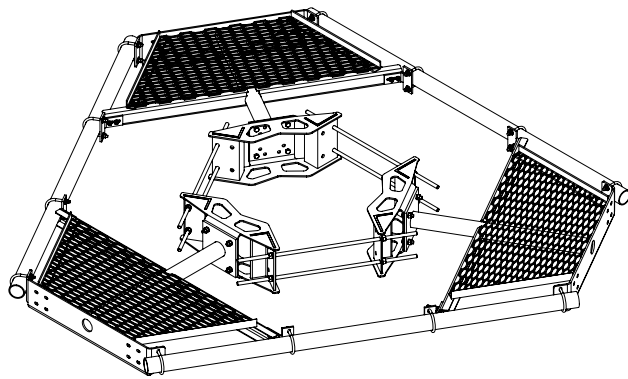


## Monopole Mounts

### Co-location Kits

#### Low-profile Co-location Platform Kit

- Application:** Monopoles
- Size:** 8' (2.4 m) Face
- Design:** Corner grated platform assembly
- Feature:** 6-Sector mounting capabilities for 2-3/8" to 3-1/2" OD (60.3 mm to 88.9 mm OD) Pipes
- Mounts to:** 15" - 50" OD (381 mm - 1.3 m OD) Monopoles
- Material:** Hot dip galvanized steel
- Includes:** Ring mount, platform weldments, hardware
- Order Separately:** Antenna mounting pipes for base kit



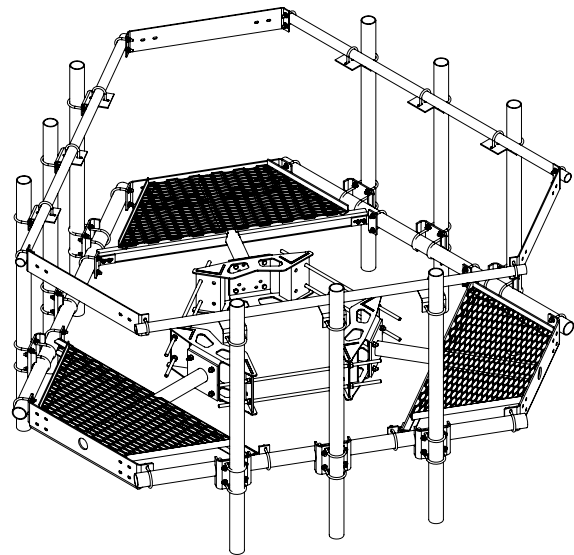
• MC-PK8-B

Part Number	Description	Weight, lb (kg)
-------------	-------------	-----------------

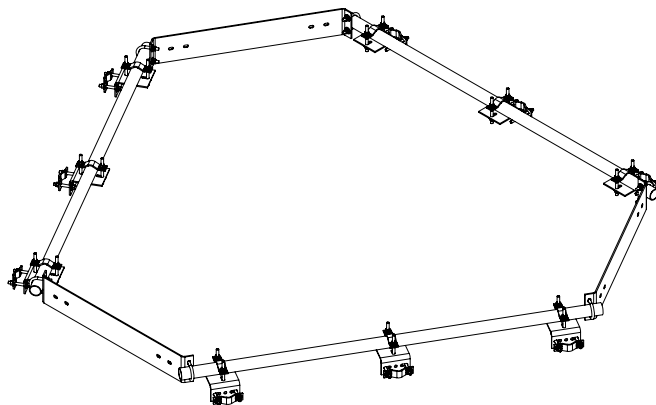
<b>Low-profile Co-location Platform Kit</b>		
MC-PK8-B	Co-location Platform Kit, 8' (2.4 m) Face, Base Kit	795 (360.1)
MC-PK8-C	Co-location Platform Kit, 8' (2.4 m) Face, (9) 3-1/2" OD x 72" (88.9 mm OD x 1.8 m) Antenna Mounting Pipes, With Support Rail Kit	1510 (684.9)

<b>Upper Support Rail Kit for Co-location Platforms</b>		
---------------------------------------------------------	--	--

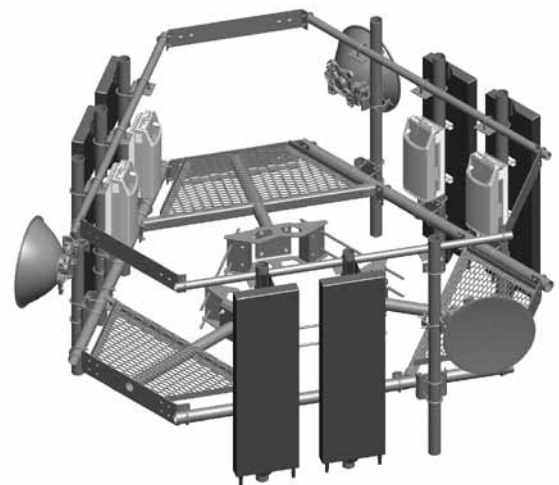
MT-195-8	8' (2.4 m) Face for 2-3/8" to 3-1/2" OD (60.3 mm to 88.9 mm OD) Pipes	181 (82)
----------	-----------------------------------------------------------------------	----------



• MC-PK8-C



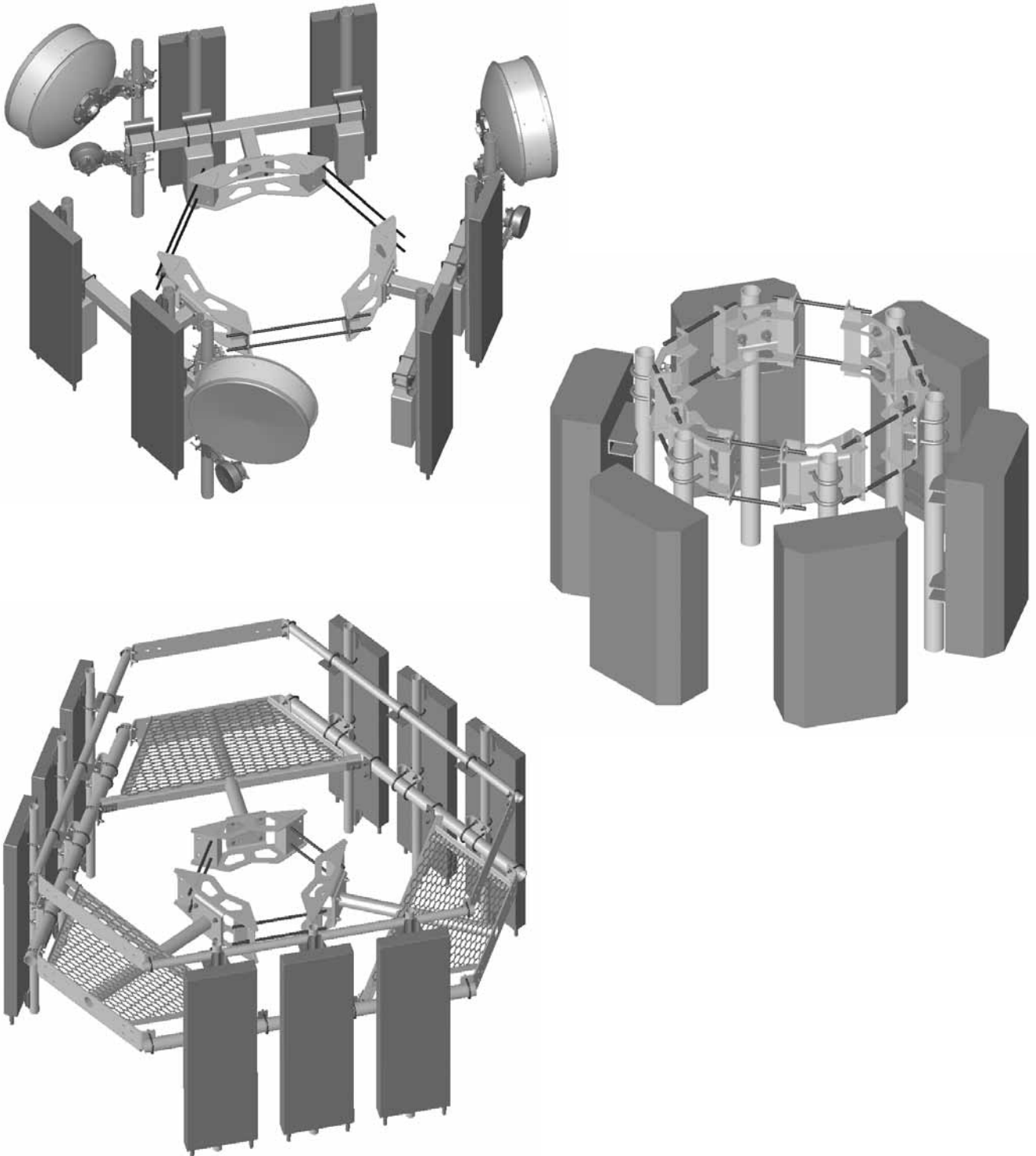
• MT-195-8

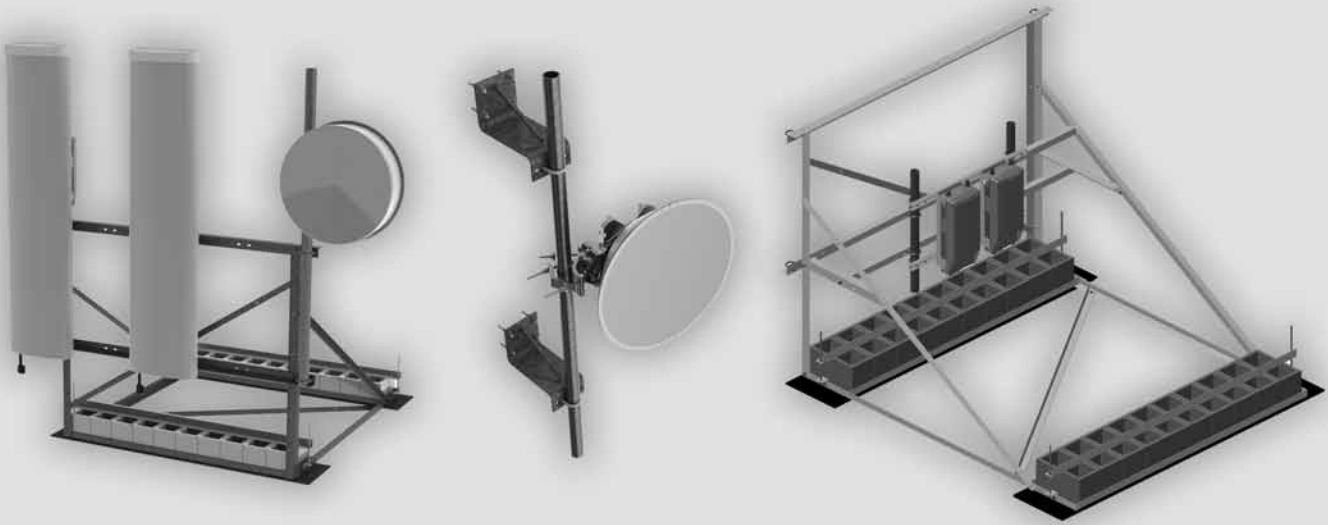


See Pipe and U-bolt Table on Page 12

## Monopole Mounts

### LTE Applications





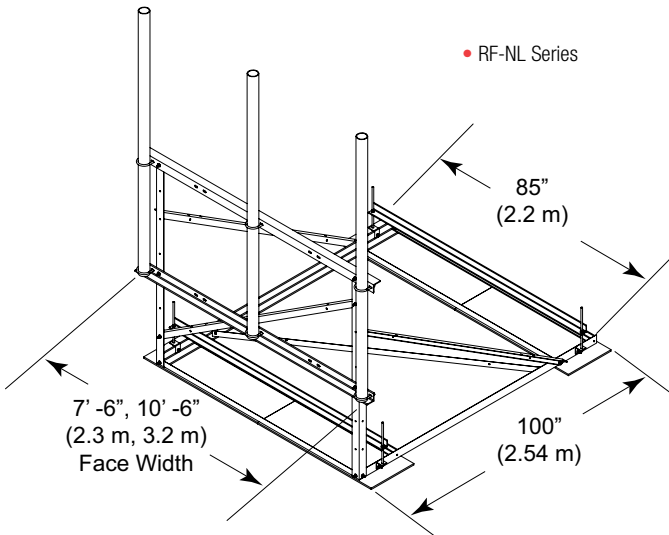
- Roof Frames
- Mounting Components
- Customs

## Roof-Top Mounts

### Roof Frames

#### Non-penetrating Roof Frames

<b>Application:</b>	Roof-top
<b>Size:</b>	7' -6" or 10' -6" (2.3 m to 3.2 m) face
<b>Design:</b>	Single sector roof mount
<b>Feature:</b>	Complete kit
<b>Material:</b>	Hot dip galvanized steel
<b>Includes:</b>	Rubber mats, available with or without pipe mounts
<b>Order Separately:</b>	Pipes for B kits



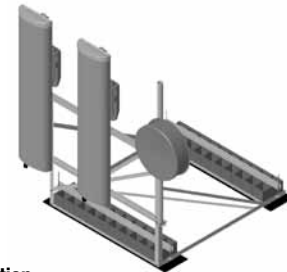
Part Number	Description	Weight, lb (kg)
-------------	-------------	-----------------

#### Non-penetrating Roof Frame, 7' -6" (2.3 m) Wide

RF-NL7-B	3-1/2" OD (88.9 mm OD) Pipes Ordered Separately	478.31 (217)
RF-NL7-2-72	Two 3-1/2" OD x 72" (88.9 mm OD x 1.8 m) Pipes	566.95 (257.2)
RF-NL7-3-72	Three 3-1/2" OD x 72" (88.9 mm OD x 1.8 m) Pipes	613.95 (278.5)
RF-NL7-2-96	Two 3-1/2" OD x 96" (88.9 mm OD x 2.4 m) Pipes	597.09 (271)
RF-NL7-3-96	Three 3-1/2" OD x 96" (88.9 mm OD x 2.4 m) Pipes	659.16 (299)

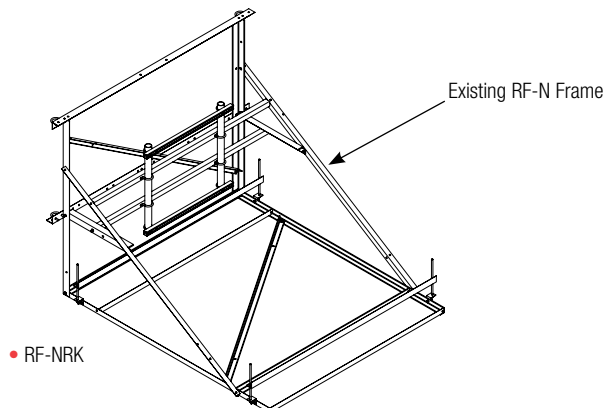
#### Non-penetrating Roof Frame, 10' -6" (3.2 m) Wide

RF-NL10-B	3-1/2" OD (88.9 mm OD) Pipes Ordered Separately	500.13 (227)
RF-NL10-2-72	Two 3-1/2" OD x 72" (88.9 mm OD x 1.8 m) Pipes	588.91 (267)
RF-NL10-3-72	Three 3-1/2" OD x 72" (88.9 mm OD x 1.8 m) Pipes	635.77 (288)
RF-NL10-2-96	Two 3-1/2" OD x 96" (88.9 mm OD x 2.4 m) Pipes	619.05 (281)
RF-NL10-3-96	Three 3-1/2" OD x 96" (88.9 mm OD x 2.4 m) Pipes	680.98 (309)



#### RRU Mount Kit for RF-N Roof-top Frames

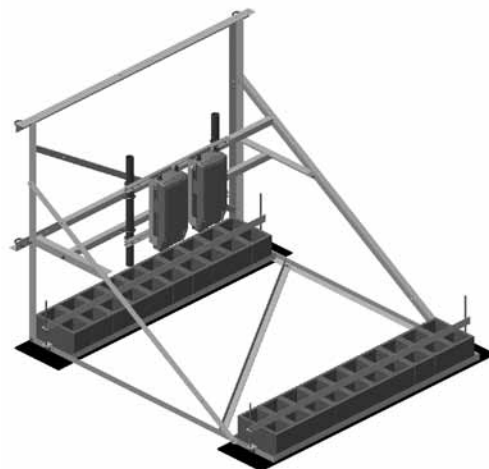
<b>Application:</b>	Roof-top
<b>Size:</b>	36" (1 m) high x 42" (1.06 m) wide mounting area
<b>Design:</b>	Mounts to RF-N frames
<b>Feature:</b>	Field Retrofit Kit
<b>Material:</b>	Hot dip galvanized steel



Part Number	Description	Weight, lb (kg)
-------------	-------------	-----------------

#### Roof-top Frame RRU Retrofit Kit

RF-NRK	RRU Retrofit Kit	90 (40.7)
--------	------------------	-----------



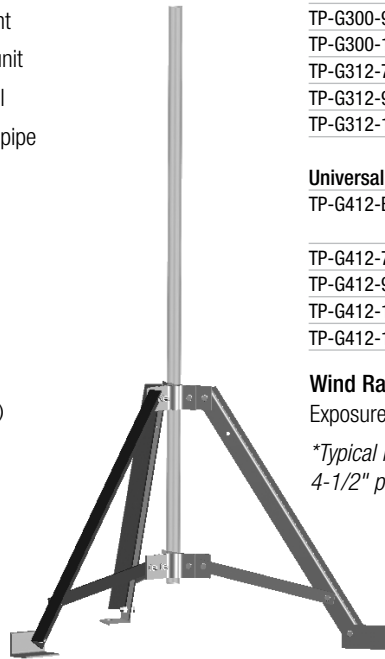
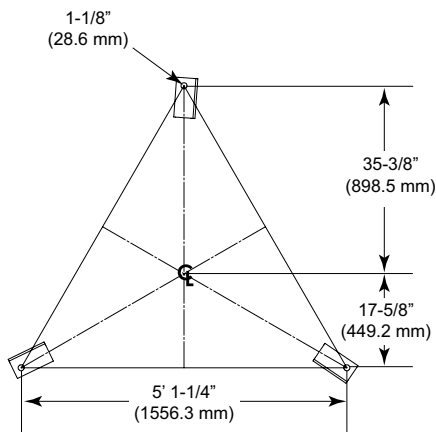


## Roof-Top Mounts

### Roof Frames

#### Universal Tripod Mounts

- Application:** Roof-top mounting for one antenna
- Size:** 2-7/8", 3-1/2" or 4-1/2" OD (73 mm, 88.9 mm (114.3 mm OD))
- Design:** Heavy duty tripod mount
- Feature:** Interchangeable base unit
- Material:** Hot dip galvanized steel
- Includes:** Mount, with or without pipe
- Order Separately:** Roof sled and pipe



Part Number	Description	Weight, lb (kg)
-------------	-------------	-----------------

#### Universal Tripod Mount, 2-7/8" or 3-1/2" OD (73 mm or 88.9 mm OD)

TP-G300-B	Base Only for 2-7/8" or 3-1/2" OD (73 mm or 88.9 mm OD), Pipe Ordered Separately	114.3 (51.8)
TP-G300-72	2-7/8" OD x 72" (73 mm OD x 1.8 m)	145 (65.8)
TP-G300-96	2-7/8" OD x 96" (73 mm OD x 2.4 m)	160 (72.6)
TP-G300-126	2-7/8" OD x 126" (73 mm OD x 3.2 m)	170 (77.1)
TP-G312-72	3-1/2" OD x 72" (88.9 mm OD x 1.8 m)	150 (68.0)
TP-G312-96	3-1/2" OD x 96" (88.9 mm OD x 2.4 m)	170 (77.1)
TP-G312-126	3-1/2" OD x 126" (88.9 mm OD x 3.2 m)	190 (86.2)

#### Universal Tripod Mount, 4-1/2" OD (114.3 mm OD)

TP-G412-B	Base Only for 4-1/2" OD (114.3 mm OD), Pipe Ordered Separately	173.4 (78.7)
TP-G412-72	4-1/2" OD x 72" (114.3 mm OD x 1.8 m)	238.2 (108.0)
TP-G412-96	4-1/2" OD x 96" (114.3 mm OD x 2.4 m)	259.8 (117.8)
TP-G412-126	4-1/2" OD x 126" (114.3 mm OD x 3.2 m)	286.8 (130.1)
TP-G412-150	4-1/2" OD x 150" (114.3 mm OD x 3.8 m)	308.4 (139.9)

**Wind Rating\*:** 85 mph (BWS) per latest revision of TIA/EIA-222 Exposure "C" per UBC, at 100' AGL

\*Typical installation of one 6' standard microwave antenna using 4-1/2" pipe must See Engineering Data Table for ballast

• TP-G300-96

#### Non-penetrating Roof Ballast Sled for Tripods

- Application:** Non-penetrating solution for TP-G series mounts
- Size:** 85" (2.15 m) faces
- Design:** Converts tripods to non-penetrating
- Feature:** Three ballast trays
- Material:** Hot dip galvanized steel
- Includes:** Sled only
- Order Separately:** Tripod and rubber mats

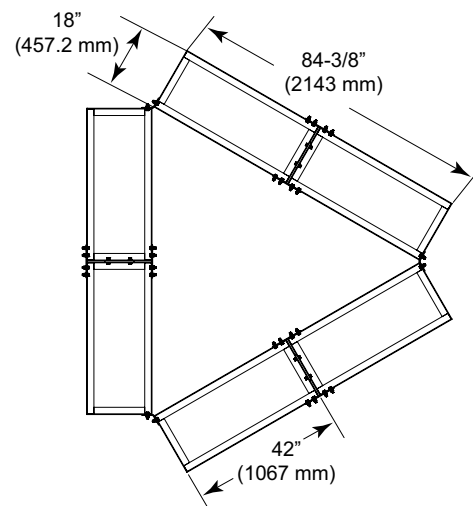
• TP-G412-72 with MT-416



Part Number	Description	Weight, lb (kg)
-------------	-------------	-----------------

#### Non-penetrating Roof Ballast Sled for Tripods

MT-416	Non-penetrating Roof Sled, Tripod Mount Ordered Separately	171.7 (77.9)
MT-F1637	Rubber Mat, 1/2" x 18" x 48" (12.7 mm x 0.5 m x 1.2 m), Six Mats Required for Ballast Tray	16.2 (7.3)

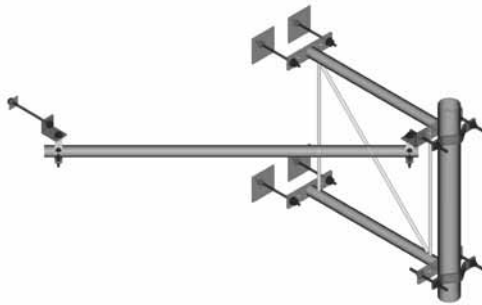


## Roof-Top Mounts

### Mounting Components

#### Stand-off Wall Mount

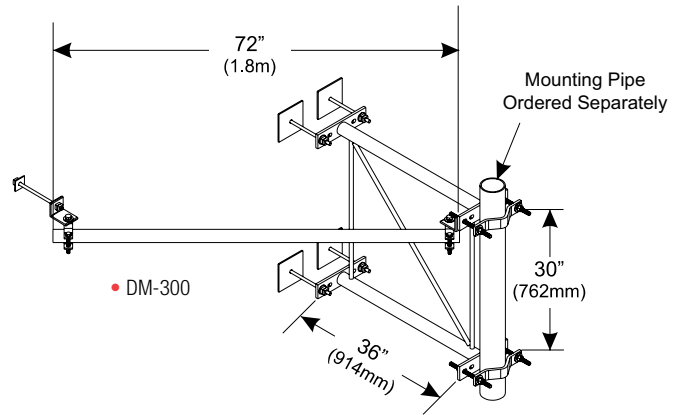
<b>Application:</b>	3' (0.9 m) Stand-off for wall mounting antennas
<b>Size:</b>	36" (914.4 mm) stand-off
<b>Design:</b>	Welded stand-off mount
<b>Feature:</b>	Heavy duty for microwave antennas
<b>Mounts to:</b>	Walls
<b>Material:</b>	Hot dip galvanized steel
<b>Includes:</b>	Bracket, stiff-arm, and wall mount hardware
<b>Order Separately:</b>	3-1/2" or 4-1/2" OD (88.9 mm or 114.3 mm OD) pipe



Part Number	Description	Weight, lb (kg)
-------------	-------------	-----------------

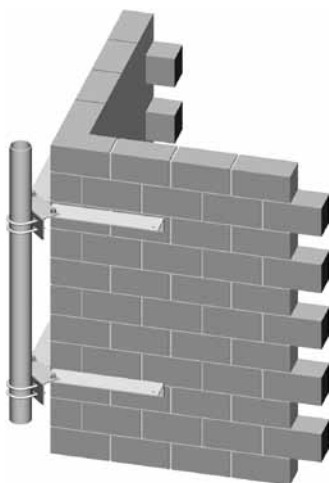
#### Stand-off Wall Mount

DM-300	Stand-off Wall Mount, 36" (914 mm), for Solid and Hollow Walls, Includes 72" (1.8 m) Stiff Arm	151 (68.4)
--------	------------------------------------------------------------------------------------------------	------------



#### Corner Wall Mounts

<b>Application:</b>	Antenna mounting for corners of buildings
<b>Design:</b>	V-shaped corner mount
<b>Feature:</b>	Adjustable clamp spacing
<b>Mounts to:</b>	Wall corners
<b>Material:</b>	Hot dip galvanized steel
<b>Includes:</b>	Two brackets, pipe mount, and wall mount hardware



Part Number	Description	Weight, lb (kg)
-------------	-------------	-----------------

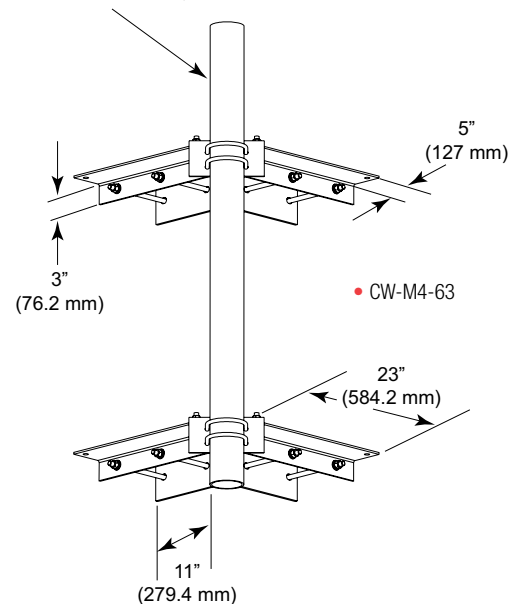
#### Corner Wall Mount With 2-3/8" OD (60.3 mm OD) Antenna Pipe

CW-M2-63	63" (1.6 m) Pipe	123.7 (56.1)
CW-M2-96	96" (2.4 m) Pipe	133.6 (60.6)

#### Corner Wall Mount With 4-1/2" OD (114.3 mm OD) Antenna Pipe

CW-M4-63	63" (1.6 m) Pipe	161.5 (73.3)
CW-M4-96	96" (2.4 m) Pipe	191.2 (86.7)

2-3/8" or 4-1/2" OD Pipe  
(60.3 mm or 114.3 mm)



## Roof-Top Mounts

### Mounting Components

#### Adjustable Wall Mounts

- Application:** Mounting antennas on hollow or solid walls
- Size:** 6" (152.4 mm) square plate, 6-1/4" or 12" (157.75 mm or 305 mm) stand-off
- Design:** Welded dual brackets
- Feature:** Variable spacing flexibility
- Mounts to:** Versions for hollow or solid walls
- Material:** Hot dip galvanized steel
- Includes:** Two wall brackets and backing plates or anchors
- Order Separately:** U-bolts and 2-3/8" to 4-1/2" OD (60.3 mm to 114.3 mm OD) pipe



Part Number	Description	Weight, lb (kg)
-------------	-------------	-----------------

#### Adjustable Wall Mounts, 6" (152.4 mm) Stand-off

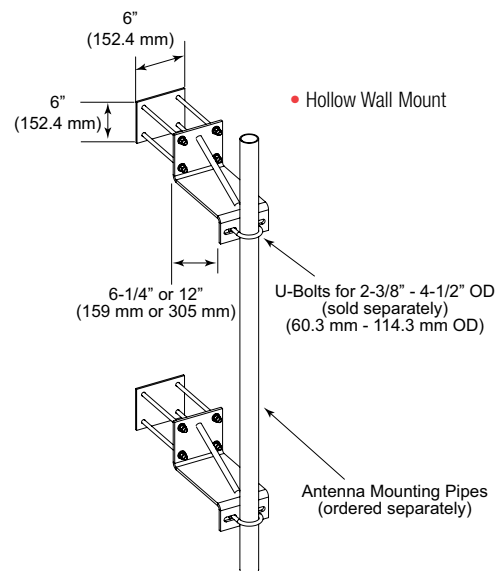
MT-221	For Hollow Walls, Includes Backing Plates, Kit of 2	68.6 (31.1)
MT-222	For Solid Walls, Includes Wall Anchors, Kit of 2	45.5 (20.6)

#### Adjustable Wall Mounts, 12" (305 mm) Stand-off

MT-221L	For Hollow Walls, Includes Backing Plates, Kit of 2	75.3 (34.2)
MT-222L	For Solid Walls, Includes Wall Anchors, Kit of 2	50.7 (23.0)

#### Optional Backing Plate

MT-223	Backing Plate Kit, 12" x 12" (305 mm x 305 mm)	23.1 (10.5)
--------	------------------------------------------------	-------------



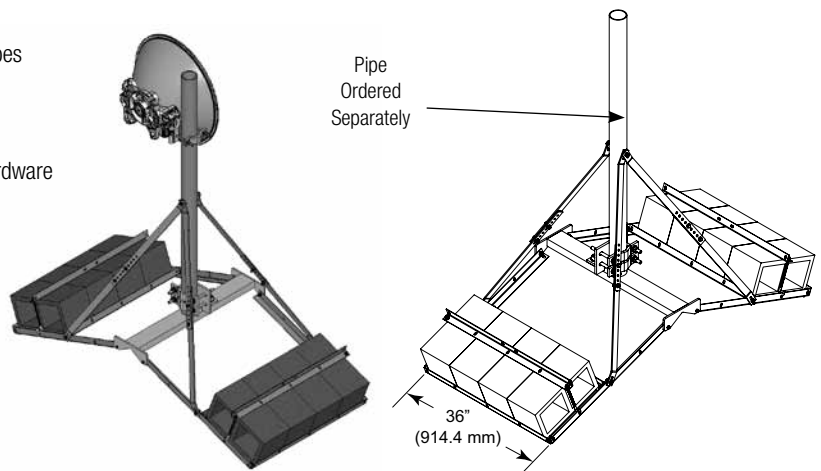
#### Non-penetrating Roof-top Peak Frames

- Application:** Mounting of antennas on roof-tops peaks
- Size:** 36" (914.4 mm) wide ballast trays
- Design:** Non-penetrating design
- Feature:** Accepts 2-3/8" to 4-1/2" OD (60.3 mm to 114.3 mm OD) antenna mounting pipes
- Mounts to:** Peaked roofs
- Material:** Hot dip galvanized steel
- Includes:** Ballast tray, tie down angles, mount, hardware
- Order Separately:** Antenna mounting pipes

Part Number	Description	Weight, lb (kg)
-------------	-------------	-----------------

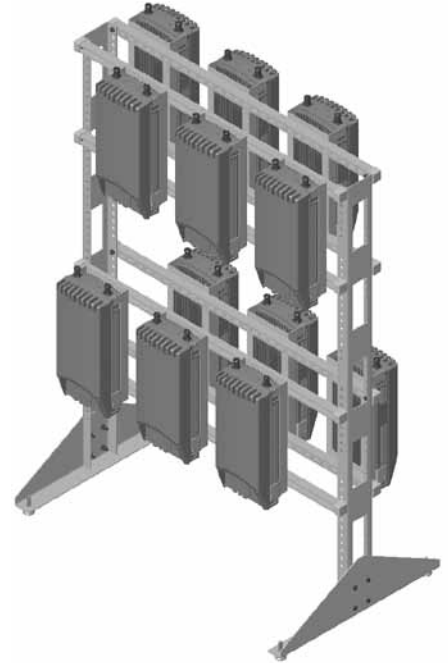
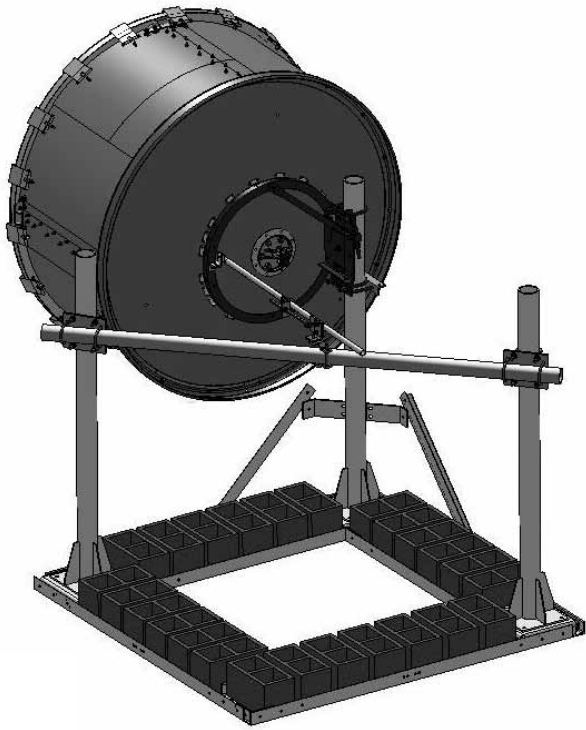
#### Non-penetrating Roof-top Peak Frames

RT-PM-B	Non-penetrating Roof-top Peak Frame, Base Kit. 2-3/8" to 4-1/2" OD (60.3 mm to 114.3 mm OD) Pipe Ordered Separately	105 (47.6)
---------	---------------------------------------------------------------------------------------------------------------------	------------

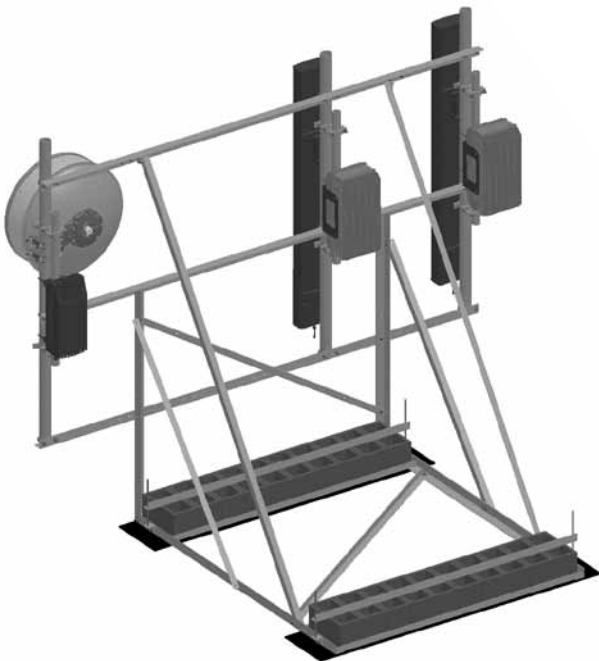
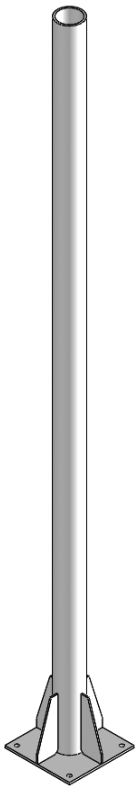


Roof-Top Mounts

Customs



Custom Mounts for Specific Applications





- Coaxial Support Components
- Waveguide Bridge Kits
- Cable Ladder Kits



## Coaxial Support Components

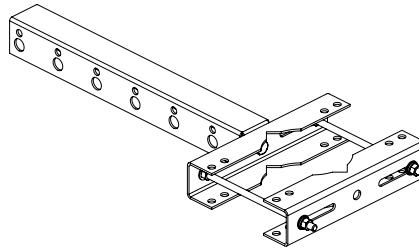
### Star Support Brackets

**Application:** Coaxial support on round or angle members  
**Size:** 3/4" (19.1 mm) and 7/16" (11.1 mm) holes  
**Design:** Bolt together stand-off mount  
**Feature:** Six or twelve hole solution  
**Mounts to:** Round and angle members  
**Material:** Hot dip galvanized steel  
**Includes:** Bracket

Part Number	Description	Weight, lb (kg)
-------------	-------------	-----------------

#### Star Support Tee Bracket

SS-TB2550	1-1/2" to 5-9/16" OD (38.1 mm to 141.3 mm OD) Round Members and 2-1/2" to 5" (50.8 mm to 127 mm) Angle Members	8 (3.6)
SS-TB6080	4" to 10-3/4" OD (101.6 mm to 273.1 mm OD) Round Members and 4" to 8" (101.6 mm to 203.2 mm) Angle Members	10 (4.5)



• SS-TB2550

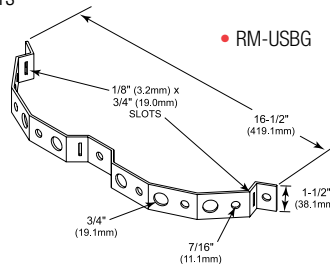
### Universal Round Member Support Bracket

**Application:** Coaxial support for monopoles  
**Size:** 3/4" (19.1 mm) and 7/16" (11.1 mm) holes  
**Design:** Coaxial cable support for round members  
**Feature:** Ideal for co-location  
**Mounts to:** Round members  
**Material:** Hot dip galvanized steel  
**Includes:** Bracket  
**Order Separately:** Banding

Part Number	Description	Weight, lb (kg)
-------------	-------------	-----------------

#### Universal Round Member Support Bracket

RM-USBG	Universal Round Member Support Bracket for 6 Runs, Kit of 10	9.0 (4.1)
---------	--------------------------------------------------------------	-----------



• RM-USBG



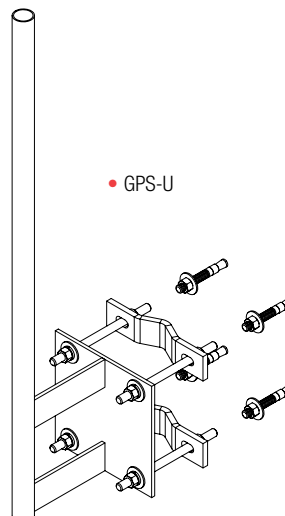
### GPS Antenna Pipe/Wall Mount

**Application:** GPS mount for pipe or wall mounting  
**Size:** 1.3" OD x 36" (33 mm OD x .9 m)  
**Design:** Welded mount with 7" (178 mm) stand-off  
**Feature:** Hardware for mounting to walls or pipe 1.9" to 4.5" OD (48.3 mm to 114.3 mm OD)  
**Mounts to:** Pipes or walls  
**Material:** Hot dip galvanized steel  
**Includes:** Mount, hardware  
**Order Separately:** GPS antenna

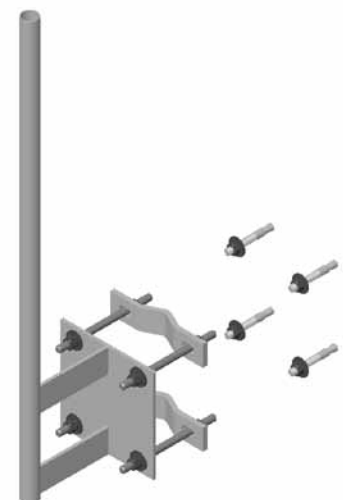
Part Number	Description	Wt lb (kg)
-------------	-------------	------------

#### GPS Antenna Pipe/Wall Mount

GPS-U	1.3" OD x 36" (33 mm OD x .9 m)	16 (7.3)
-------	---------------------------------	----------



• GPS-U





**Waveguide**

## Waveguide Bridge Kits

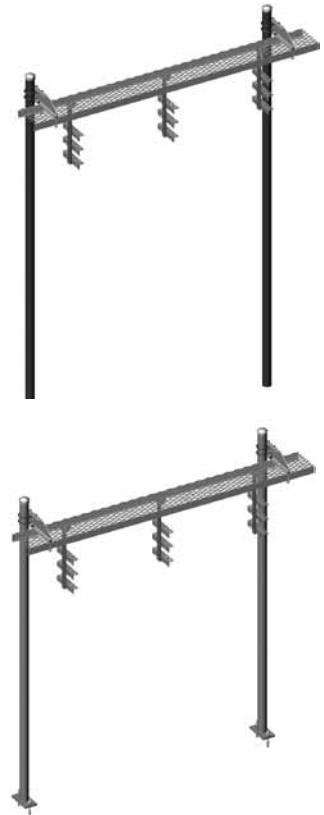
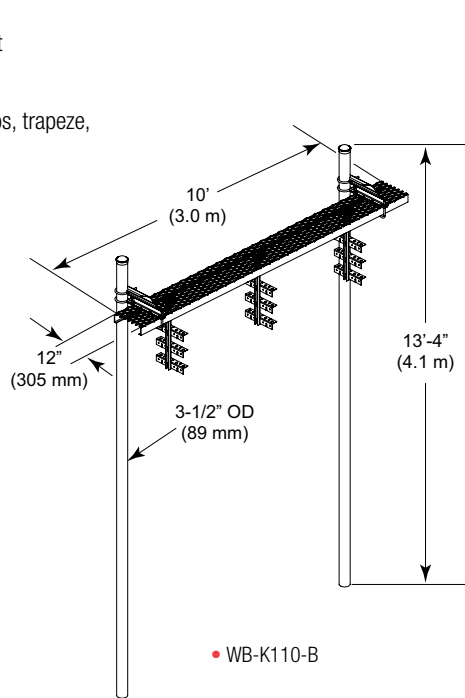
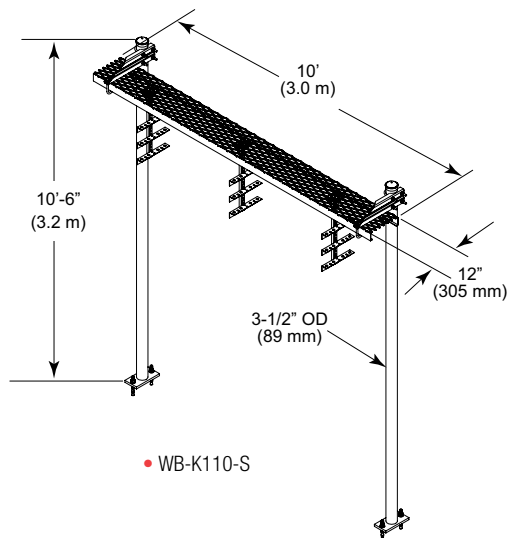
### 12" or 24" (305 mm or 610 mm) Two-post Waveguide Bridge Kits

- Application:** Covered waveguide support from tower to cabinets
- Design:** Two-post, 10' (3.0 m) safety grating
- Feature:** Complete kit for coaxial cable support
- Material:** Hot dip galvanized steel
- Includes:** Channel, posts, support brackets, caps, trapeze, and hardware
- Order Separately:** Additional accessories

Part Number	Description	Weight, lb (kg)
-------------	-------------	-----------------

#### 12" (305 mm) Wide Two-post Safety Grated Waveguide Bridge Kit

WB-K110-B	Two 13'-4" (4.1 m) Direct Burial Posts	325.0 (147.4)
WB-K110-S	Two 10'-6" (3.2 m) Base Shoe Posts	308.0 (139.7)



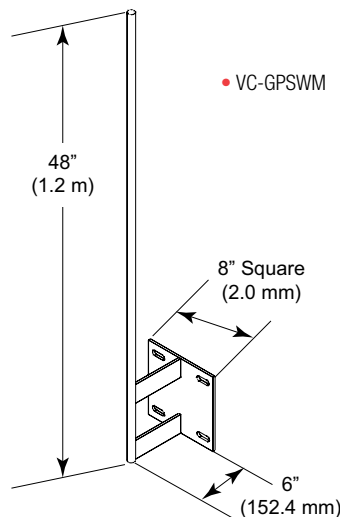
### GPS Antenna Wall Mount

- Application:** Solid or hollow walls GPS mount
- Size:** 3/4" OD x 48" (19.1 mm OD x 1.2 m)
- Design:** Welded mount with 6" (152.4 mm) stand-off
- Feature:** Threaded end for GPS antennas
- Mounts to:** Walls
- Material:** Hot dip galvanized steel
- Includes:** Mount
- Order Separately:** Anchoring hardware

Part Number	Description	Wt lb (kg)
-------------	-------------	------------

#### GPS Antenna Wall Mount

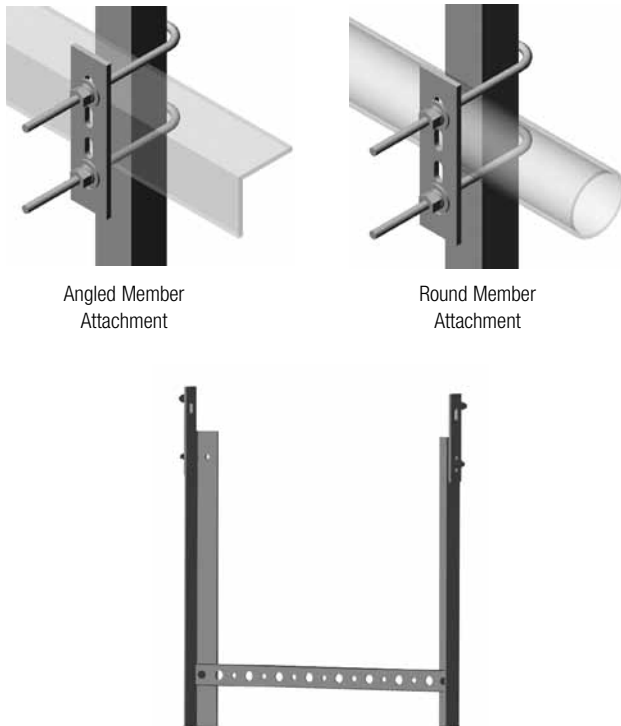
VC-GPSWM	3/4" OD x 48" (19.1 mm OD x 1.2 m)	10.5 (4.8)
----------	------------------------------------	------------



## Cable Ladder Kits

### Universal Cable Ladder Kits

- Application:** Coaxial support for round or angle members
- Size:** 10' (3 m) and 20' (6 m) in three widths
- Design:** Angle rails with bolt-on channel rungs
- Feature:** Complete ladder kit
- Mounts to:** Round and angle legs
- Material:** Hot dip galvanized steel
- Includes:** Ladder, splice plates, and attachment kits



Part Number	Description	Weight, lb (kg)
-------------	-------------	-----------------

#### 10' (3 m) Universal Cable Ladder Kits

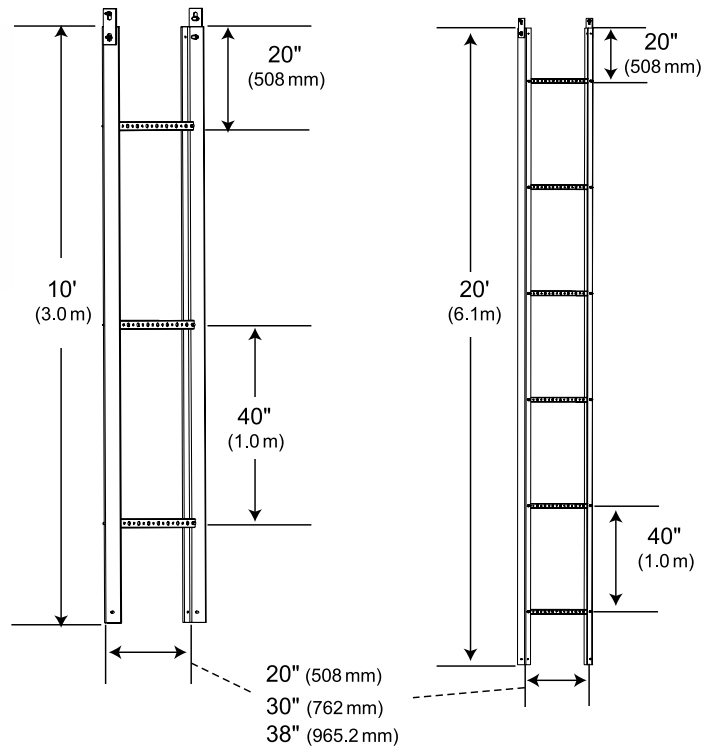
##### Includes Universal Hardware Kit for Round and Angle Members

CL-0610-U	20" Wide (355.6 mm), Six Hole Rung	57 (25.9)
CL-0910-U	30" Wide (762 mm), Nine Hole Rung	59 (27.0)
CL-1210-U	38" Wide (1 m), Twelve Hole Rung	62 (28.0)

#### 20' (6 m) Universal Cable Ladder Kits

##### Includes Universal Hardware Kit for Round and Angle Members

CL-0620-U	20" Wide (355.6 mm), Six Hole Rung	112 (50.8)
CL-0920-U	30" Wide (762 mm), Nine Hole Rung	117 (52.9)
CL-1220-U	38" Wide (1 m), Twelve Hole Rung	121 (55.1)



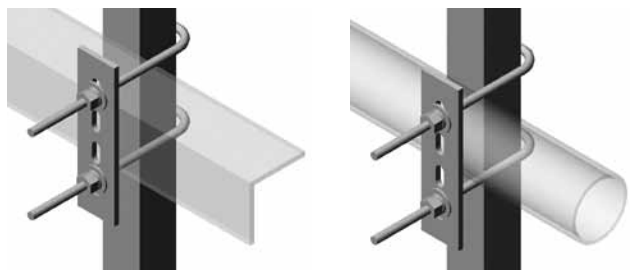
### Universal Cable Ladder Hardware Kit

- Application:** Universal cable ladder hardware
- Size:** 1" to 4-1/2" (25.4 mm to 114.3 mm) round or angle members
- Design:** One piece plate
- Feature:** Universal attachment plate
- Mounts to:** 1" to 4-1/2" (25.4 mm to 114.3 mm) round and angle legs
- Material:** Hot dip galvanized steel
- Includes:** Plate and J-bolts
- Order Separately:** Cable ladder

Part Number	Description	Wt. lb (kg)
-------------	-------------	-------------

#### Universal Cable Ladder Hardware Kit

HK-CL-U	1" to 4-1/2" (25.4 mm to 114.3 mm) Round or Angle Members	4 (1.7)
---------	-----------------------------------------------------------	---------





- **Microwave Ice Shields**
- **Power Telco Rack**
- **Equipment Platforms**

**Microwave Ice Shields**

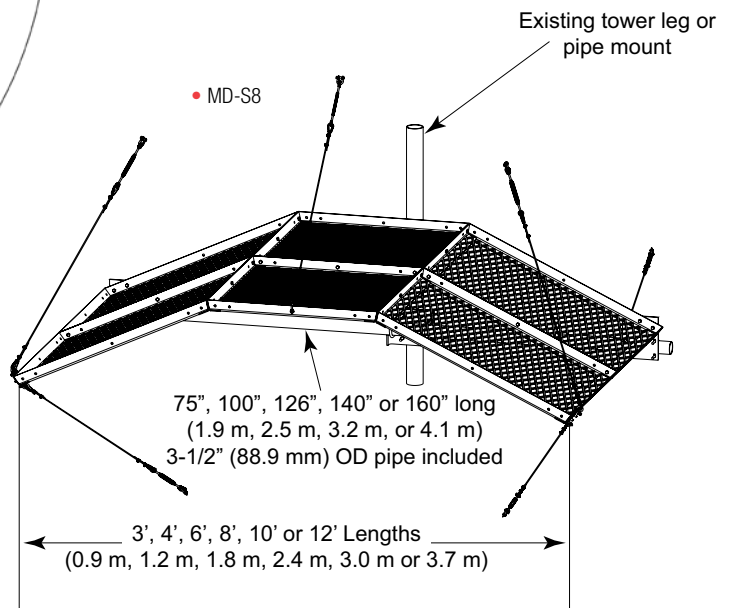
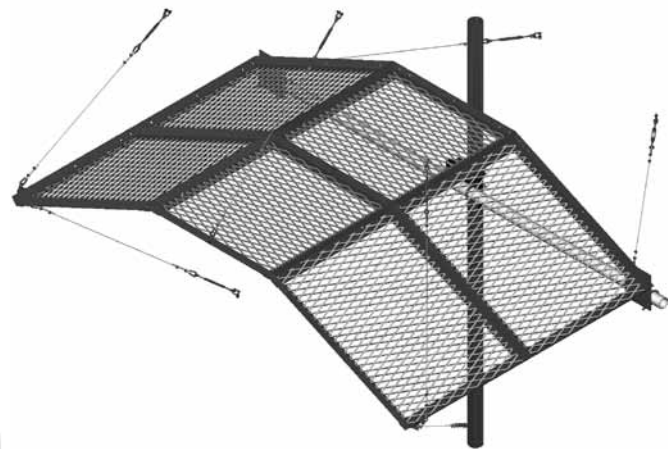
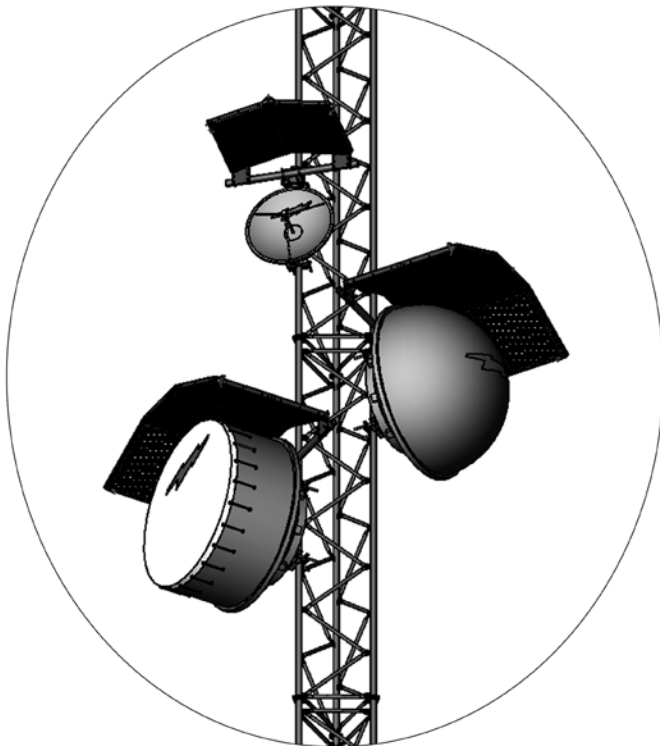
**Microwave Antenna Ice Shield**

- Application:** Protection microwave antenna from falling debris
- Design:** Heavy duty
- Feature:** Bolt together, light weight panels
- Mounts to:** 4-1/2" OD (114.3 mm OD) pipe
- Material:** Hot dip galvanized steel
- Includes:** Ice shield and all attachment hardware
- Order Separately:** Pipe mount

**Part Number Description Weight, lb (kg)**

Microwave Antenna Shields		
MD-S3	Microwave Antenna Shield, 3' (0.9 m) Antenna	260 (117.9)
MD-S4	Microwave Antenna Shield, 4' (1.21 m) Antenna	290 (131.6)
MD-S6	Microwave Antenna Shield, 6' (1.8 m) Antenna	443 (200.9)
MD-S8	Microwave Antenna Shield, 8' (2.4 m) Antenna	571 (259.1)
MD-S10	Microwave Antenna Shield, 10' (3 m) Antenna	649 (294.4)
MD-S12	Microwave Antenna Shield, 12' (3.6 m) Antenna	763 (346.1)

Custom lightweight or additional sizes available.  
Contact our Customer Support Center for details.



Site Related Components

Microwave Ice Shields

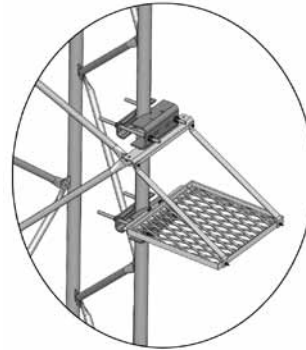
Square Antenna Ice Shields

- Application:** Protection from falling debris
- Feature:** Protects antenna from falling debris
- Mounts to:** 4-1/2" OD (114.3 mm OD) pipe
- Material:** Hot dip galvanized steel
- Includes:** Ice shield, mounting hardware
- Order Separately:** 4-1/2" OD (114.3 mm OD) pipe mount

Part Number	Description	Weight, lb (kg)
-------------	-------------	-----------------

Square Antenna Ice Shields

MD-SQ2	Square Antenna Ice Shield, 2' (0.6 m) Square	125 (56.7)
MD-SQ3	Square Antenna Ice Shield, 3' (0.9 m) Square	150 (68.0)
MD-SQ4	Square Antenna Ice Shield, 4' (1.21 m) Square	190 (86.2)



Microwave Dish Waveguide Shields

- Application:** Waveguide protection from falling debris
- Size:** Three versions (see table)
- Design:** Support and protection for waveguide
- Feature:** Protects waveguide from falling debris
- Mounts to:** 4-1/2" OD (114.3 mm OD) pipe
- Material:** Hot dip galvanized steel
- Includes:** Ice shield and all attachment hardware
- Order Separately:** Pipe mount

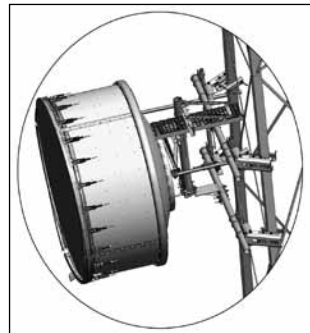
Part Number	Description	Weight, lb (kg)
-------------	-------------	-----------------

Microwave Dish Waveguide Shields

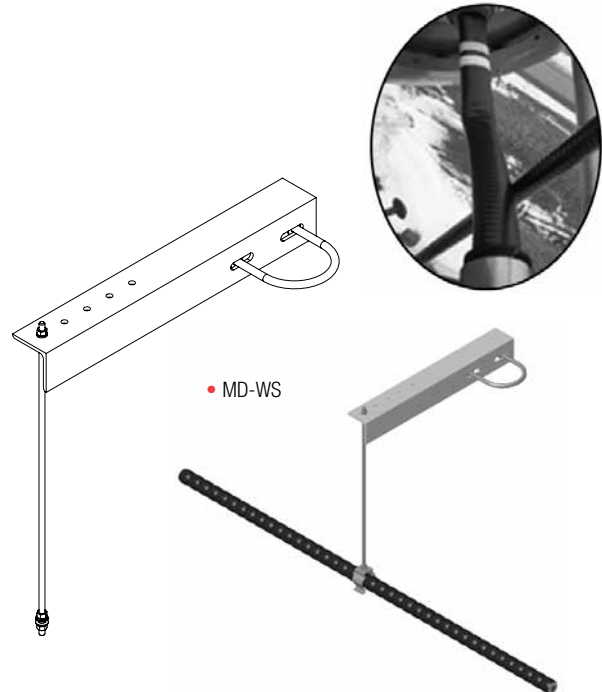
MD-IS2	Microwave Dish Waveguide Shield, 12" x 24" (305 mm x 0.6 m) Shield	42 (19.1)
MD-IS4	Microwave Dish Waveguide Shield, 12" x 48" (305 mm x 1.2 m) Shield	61 (27.7)
MD-WS	Microwave Dish Waveguide Shield, 24" (0.6 m) Angle	12 (5.4)



• MD-IS2



• MD-IS4



NOTE:

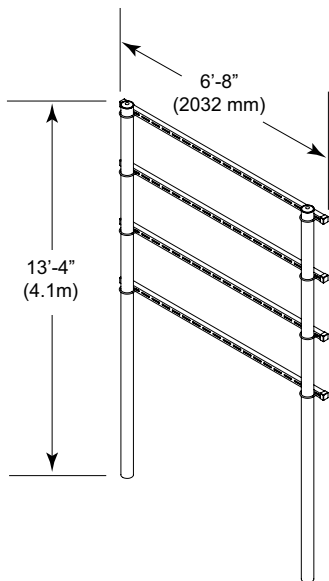
It is recommended that the EW line is supported every three feet in the horizontal and within 12" (305 mm) of the connector so there is no stress on the feed horn.

## Site Related Components

### Components

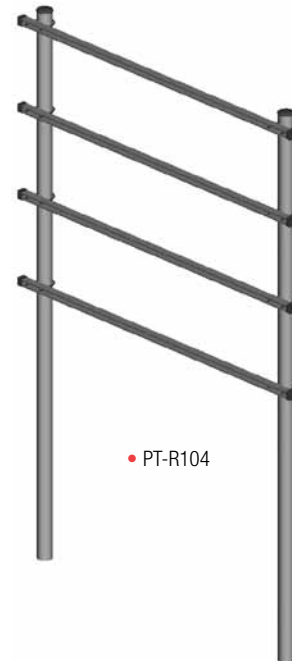
#### Power Telco Racks

<b>Application:</b>	Rack for mounting telco racks
<b>Size:</b>	13'-4" (4.1 m) Posts
<b>Design:</b>	Two posts, unistrut
<b>Feature:</b>	Burial posts
<b>Material:</b>	Hot dip galvanized steel
<b>Includes:</b>	Posts, horizontal struts, mounting hardware



Part Number	Description	Weight, lb (kg)
-------------	-------------	-----------------

Telco Racks With 13'-4" (4.1 m) Burial Posts and 80" (2 m) Horizontal Rails		
PT-R102	Power Telco Rack, Two 80" (2 m) Rungs, 13'-4" (4.1 m) Burial Posts	135 (62.0)
PT-R103	Power Telco Rack, Three 80" (2 m) Rungs, 13'-4" (4.1 m) Burial Posts	150 (68.0)
PT-R104	Power Telco Rack, Four 80" (2 m) Rungs, 13'-4" (4.1 m) Burial Posts	165 (75.0)

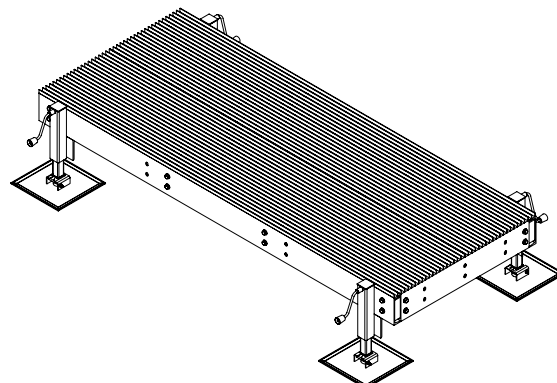


#### 4" Channel Equipment Platforms

<b>Application:</b>	Base or elevated platform for cabinets
<b>Design:</b>	Platforms with or without jackable legs
<b>Feature:</b>	Easy-to-assemble, bolt together design
<b>Material:</b>	Hot dip galvanized steel
<b>Includes:</b>	Frame, grating, hardware
<b>Order Separately:</b>	Adjustable legs for base platforms

Part Number	Description
-------------	-------------

Equipment Platform Bases, 4" (101.6 mm) Channel, Light Duty, for Up to 3500 lb (1587 kg) Loading	
EQ-P4C0404-B	4' x 4' (1.2 m x 1.2 m) Base Only
EQ-P4C0404-AL	4' x 4' (1.2 m x 1.2 m) Base With Four Adjustable Legs
EQ-P4C0406-B	4' x 6' (1.2 m x 1.8 m) Base Only
EQ-P4C0406-AL	4' x 6' (1.2 m x 1.8 m) Base With Four Adjustable Legs
EQ-P4C0408-B	4' x 8' (1.2 m x 2.4 m) Base Only
EQ-P4C0408-AL	4' x 8' (1.2 m x 2.4 m) Base With Four Adjustable Legs

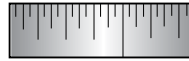






### Pipe Dimensions

Pipe Size	OD (Inches)	OD (mm)
1/2"	0.84	21.34
3/4"	1.05	26.67
1"	1.32	33.40
1-1/4"	1.66	42.16
1-1/2"	1.90	48.26
2"	2.38	60.33
2-1/2"	2.88	73.03
3"	3.50	88.90
3-1/2"	4.00	101.60
4"	4.50	114.30
5"	5.56	141.30
6"	6.63	168.30
8"	8.63	219.08



### Fraction/Decimal/Metric Chart

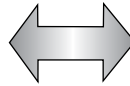
Inches Fraction	Inches Decimal	Millimeters
1/16	0.0625	1.6
1/8	0.1250	3.2
3/16	0.1875	4.8
1/4	0.2500	6.4
5/16	0.3125	7.9
3/8	0.3750	9.5
7/16	0.4375	11.1
1/2	0.5000	12.7
9/16	0.5625	14.3
5/8	0.6250	15.9
11/16	0.6875	17.5
3/4	0.7500	19.1
13/16	0.8125	20.6
7/8	0.8750	22.2
15/16	0.9375	23.8
1	1.0000	25.4

NOTE: Not applicable to coaxial cables



### Steel Thicknesses

Gage	Thickness (Inches)	Thickness (mm)
10	0.1345	3.416
11	0.1196	3.038
12	0.1046	2.657
13	0.0897	2.278
14	0.0747	1.897
15	0.0673	1.709
16	0.0598	1.519



### Conversion Factors

Convert From	Convert To	Multiply By
<b>Length</b>		
foot (ft)	meter (m)	0.3048
inch (in)	meter (m)	0.0254
inch (in)	centimeter (cm)	2.5400
meter (m)	foot (ft)	3.2808
meter (m)	inch (in)	39.3700
centimeter (cm)	inch (in)	0.3937
millimeter (mm)	inch (in)	0.0393
<b>Area</b>		
square foot (ft <sup>2</sup> )	square meter (m <sup>2</sup> )	0.0929
square meter (m <sup>2</sup> )	square foot (ft <sup>2</sup> )	10.7639
<b>Circle</b>		
radius	diameter	2.0000
diameter	radius	0.5000
diameter	circumference	3.1416
radius	circumference	6.2832
<b>Weight</b>		
pound (lb)	kilogram (kg)	0.4536
kilogram (kg)	pound (lb)	2.2046



### AWG Wire Sizes

AWG Size	Stranded, OD (overall)		Solid, OD	
	Inch	Millimeter	Inch	Millimeter
4/0	0.528	13.41	0.460	11.68
2/0	0.419	10.64	0.409	10.39
1/0	0.373	9.47	0.324	8.23
2	0.292	7.42	0.257	6.53
4	0.232	5.88	0.204	5.18
6	0.184	4.66	0.162	4.11
8	0.146	3.70	0.128	3.25
10	0.116	2.94	0.102	2.59



COMMSCOPE®

 on the go

---

[www.commscope.com/andrew](http://www.commscope.com/andrew)

Visit our Web site or contact your local Andrew Solutions representative for more information.

© 2012 CommScope, Inc. All rights reserved.

Andrew Solutions is a trademark of CommScope. All trademarks identified by ® or ™ are registered trademarks or trademarks, respectively, of CommScope. This document is for planning purposes only and is not intended to modify or supplement any specifications or warranties relating to Andrew Solutions products or services.

CA-105564-EN