

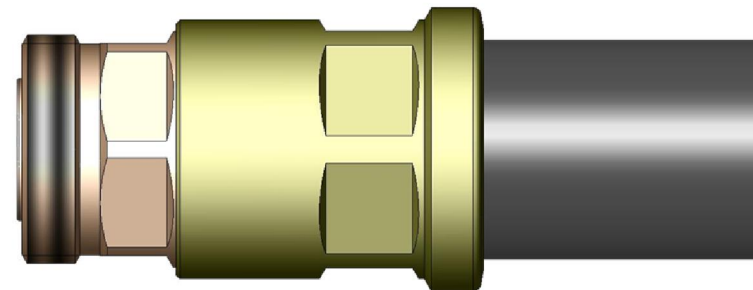


**SimFIX CA – Connector for 7/8“  
Corrugated Cables**

## SimFIX CA – Connector for 7/8" Copper and Aluminum Cables

### Design Targets:

- Compatibility with Copper and Aluminum cables of major manufacturers
- Excellent electrical performance (Return Loss, IMP)
- IP68 weather proof (Pro Version)
- Simple and reliable assembly
- Compact and cost efficient design



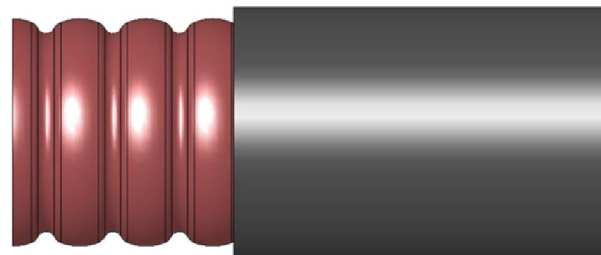
## Tooling for Cable Preparation



Manual Tool

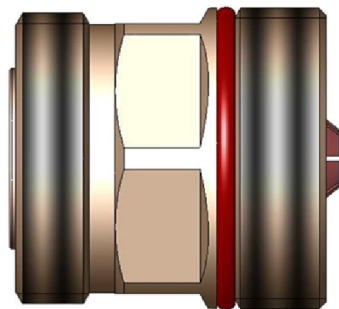


Tool for Power Drill

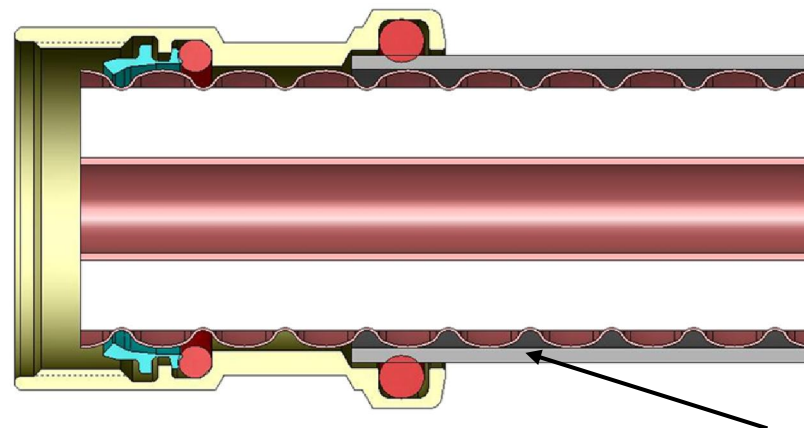


## SimFIX CA - Assembly

### Assembly step 1: Insertion of cable in cable clamp



**Connector head**

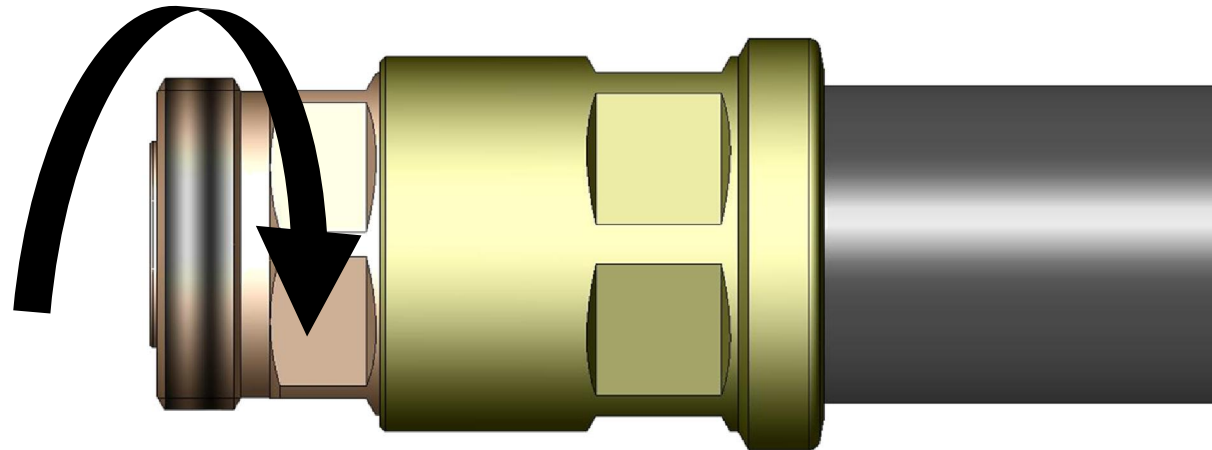


**Cable clamp**

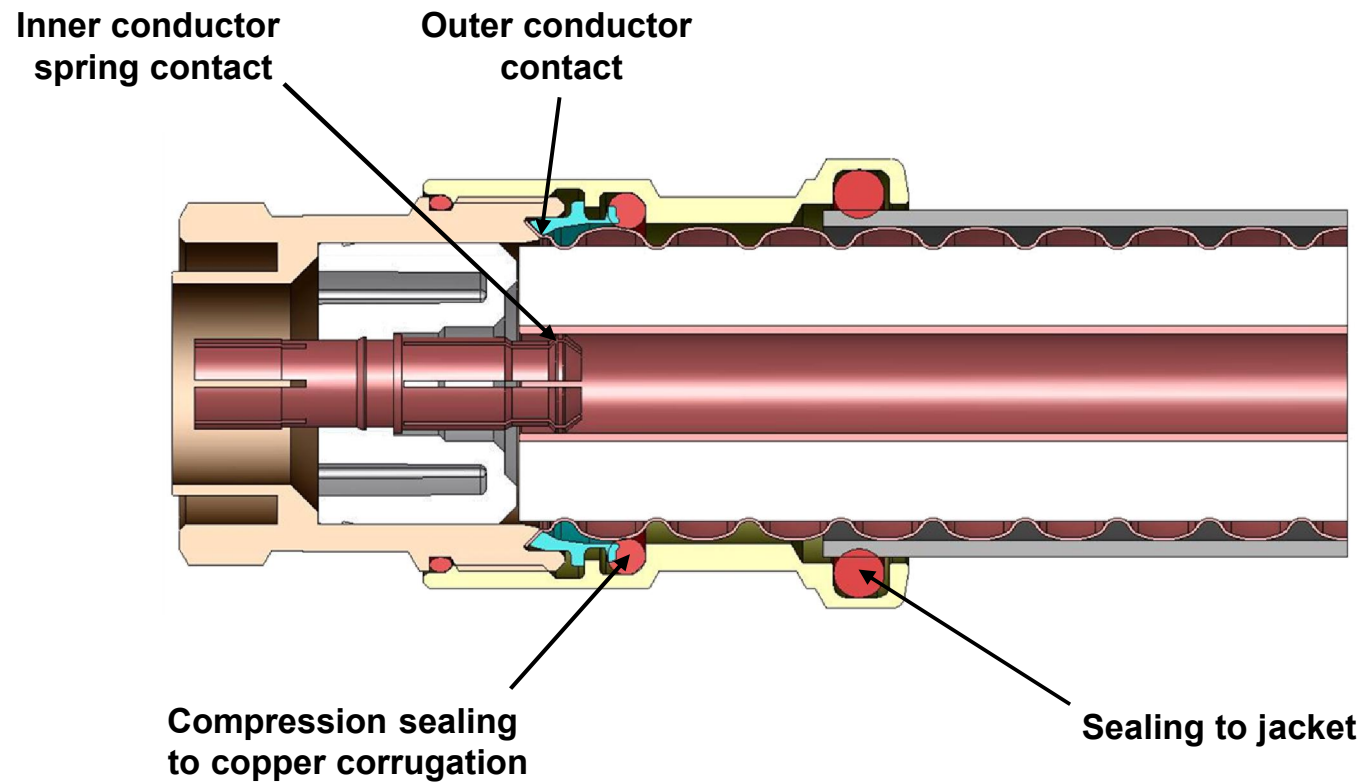
**7/8" Corrugated cable**

## SimFIX CA - Assembly

### Assembly step 2: Screw connector head to cable clamp

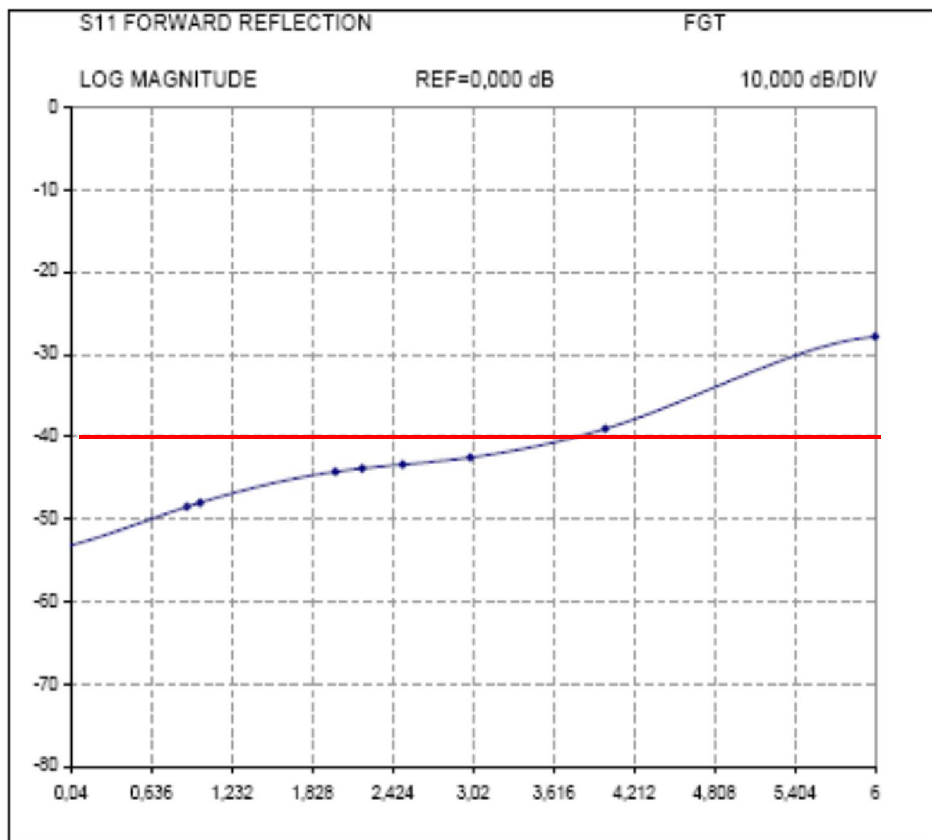


## SimFIX CA – Sealing and contact concept





## SimFIX CA – Return Loss Performance

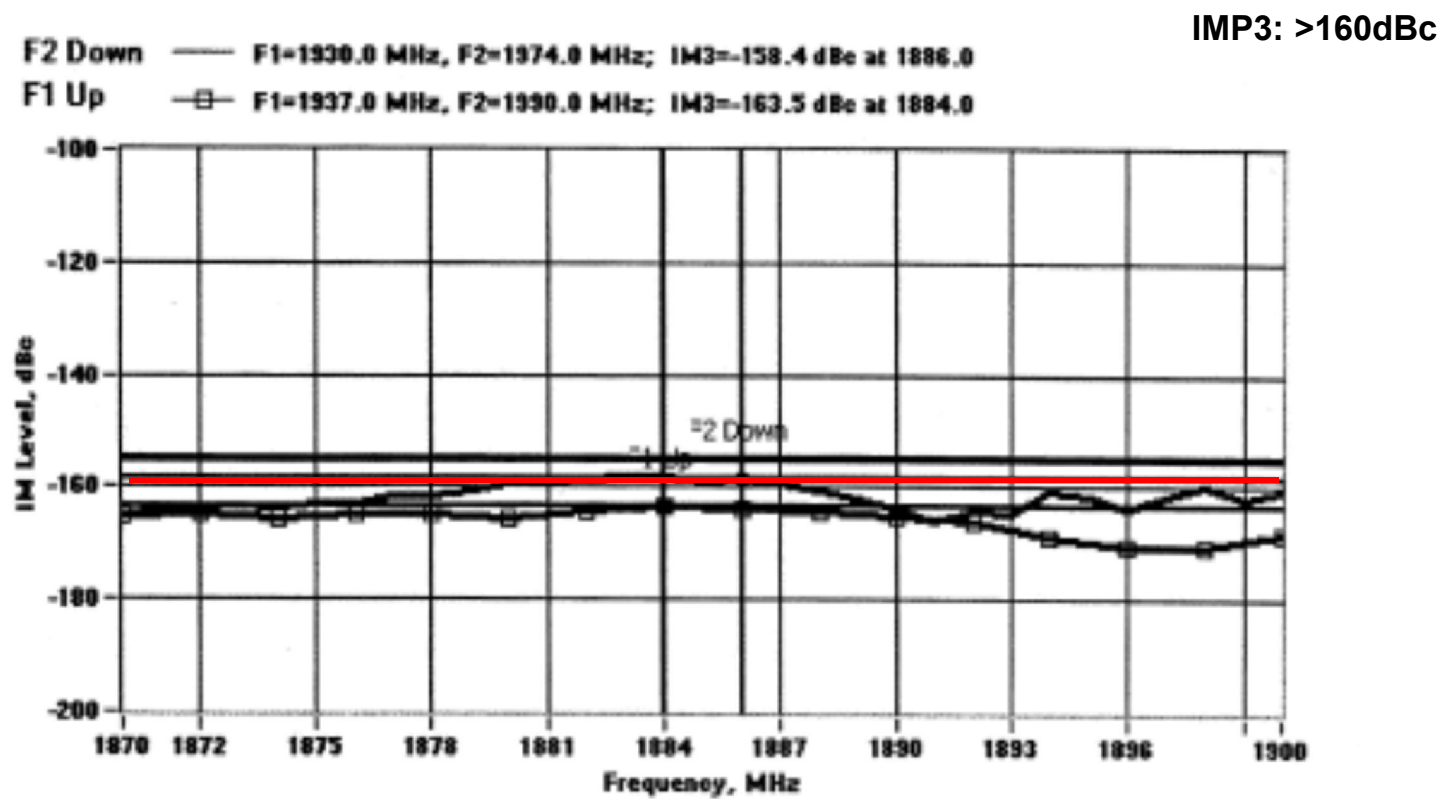


Return Loss: > 40 dB up to 3 GHz

Marker	Frequenz	S11
1	0,900 GHz	-48,5
2	1,000 GHz	-48,0
3	2,000 GHz	-44,3
4	2,200 GHz	-43,9
5	2,500 GHz	-43,4
6	3,000 GHz	-42,5
7	4,000 GHz	-39,0
8	6,000 GHz	-27,8
9		
10		



## SimFIX CA – Intermodulation Performance





## SimFIX CA – 7/8“ Cable Compatibility

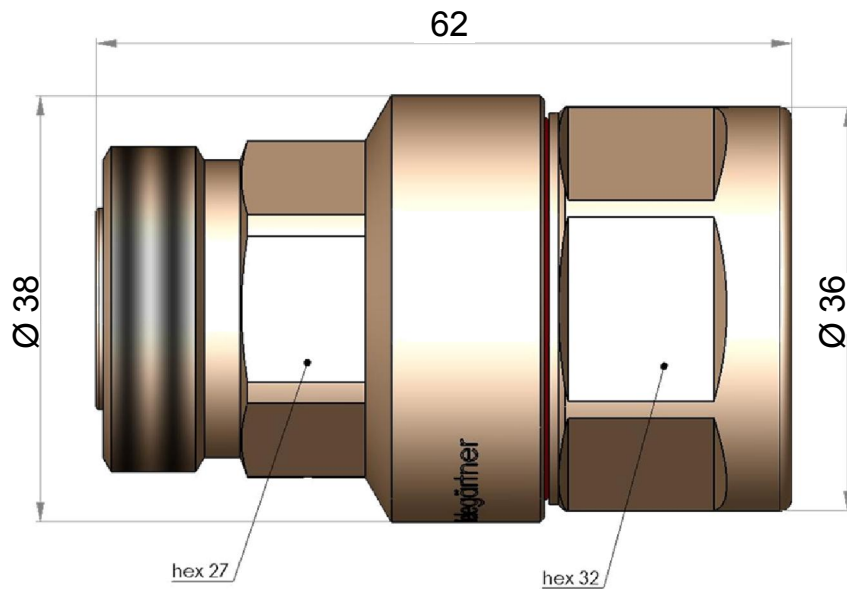
- RFA 7/8“ (Draka)
- RFA 7/8“ AL (Draka)
- AVA 5-50 (Andrew)
- AL 5-50 (Andrew)
- LDF5-50A (Andrew)
- LCF 78“-50 (RFS)
- 5228 A (Eupen)
- Flexline 7/8“ R (Leoni)
- HPL50 – 7/8“R (Acome)

All suitable for copper and aluminium cables!

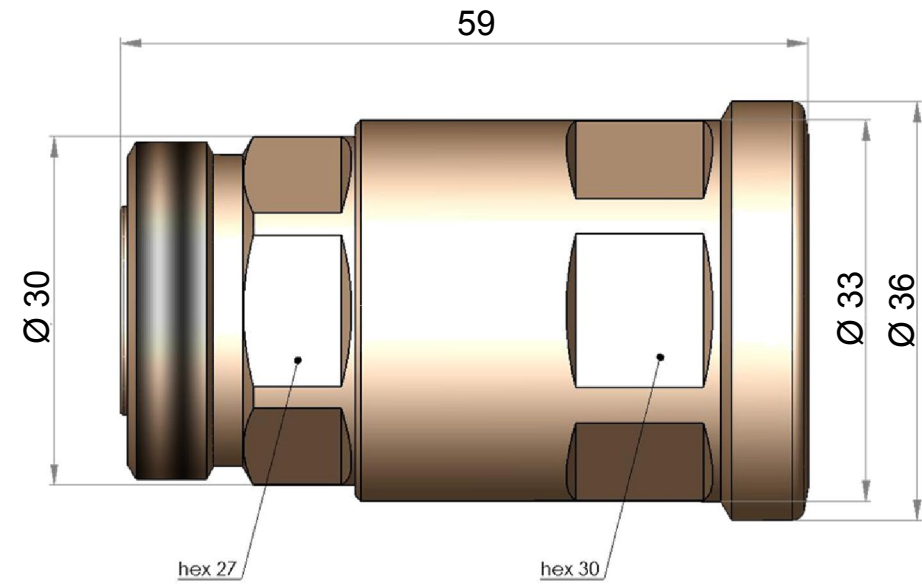


## SimFIX Pro –CA Comparison

### SimFIX Pro



### SimFIX CA Pro





## SimFIX Pro – CA Comparison

Feature	Simfix Pro 7/8“	SimFix CA Pro 7/8“
Size	62 x 38 mm	<b>59 x 32-36</b>
Electrical Performance	Return Loss: >37 dB IMP: < -160 dBc	<b>Return Loss: &gt; 40 dB</b> IMP: < -160 dBc
Cables	Copper Cables	<b>Copper and Aluminum Cables</b>
Weather Proofing	IP68 – with 2 integrated Silicon O- Rings	IP68 with 2 integrated Silicon O- Rings
Assembly Style	2- Piece - Design	2 – Piece Design
Tooling	Hand and Drill Tool	Hand and Drill Tool

## SimFix CA – Market Introduction

- Sales Start in August 2009
- Addition to existing SimFIX Pro/ST Versions
- 7-16 male and female types
- SimFIX CA in IP68 (Pro) and IP67 (ST) Variation